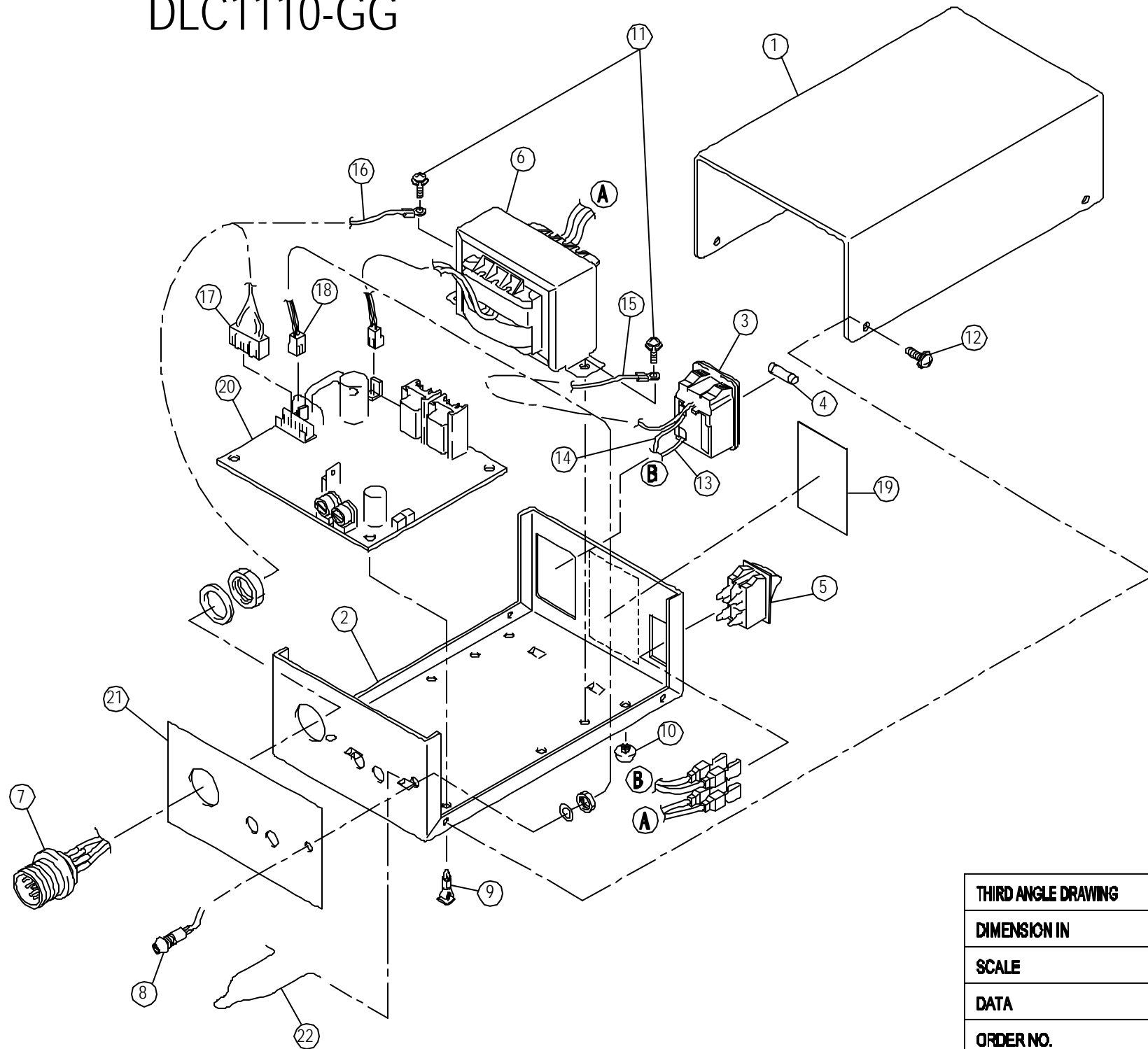


Delvo

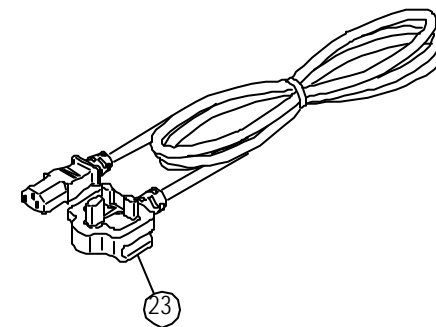
CONTROLLER

DLC1110-HE

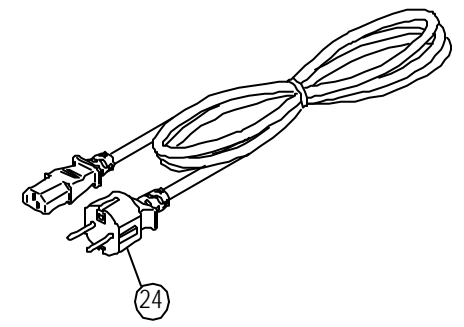
DLC1110-GG



No	Parts Name	Parts No	Qty
1	Cover	TV03197	1
2	Chassis	TV03196	1
3	Inlet With Fuse Holder	TV03198	1
4	Fuse	TV03273	2
5	Power Switch	TV03205	1
6	Transformer (For DLC1110-HE)	TV03368	1
	Transformer (For DLC1110-GG)	TV03274	1
7	Receptacle	TV03048	1
8	LED Bracket	TV01093	1
9	Spacer	TV03201	4
10	Plastic Foot	TV03202	4
11	Screw(M4X6) With Washer	TV03203	2
12	Tapping Screw With Washer	TV01855	4
13	Wire Assembly(Brown)	TV02884	1
14	Wire Assembly(Blue)	TV02885	1
15	Ground Wire Assembly(B)	TV02886	1
16	Ground Wire Assembly	TD02708	1
17	Socket Assembly(A)	TD02707	1
18	Socket Assembly(B)	TD02887	1
19	Name Label (For DLC1110-HE)	TV03369	1
	Name Label (For DLC1110-GG)	TV03366	1
20	Control Base Assembly	TD02882	1
21	Face Plate	TV03206	1
22	Hook	TV03207	1
23	Power Supply Cord(For DLC1110-HE)	TD02960	1
24	Power Supply Cord(For DLC1110-GG)	TD03001	1



For DLC1110-HE



For DLC1110-GG

THIRD ANGLE DRAWING		NITTO KOHKI CO., LTD.			
DIMENSION IN					
SCALE		DRAWING TITLE	PARTS LIST		
DATA					
ORDER NO.					
APPROVED	CHECKED	DESIGNED	DRAWN	DRG. NO.	OW31730