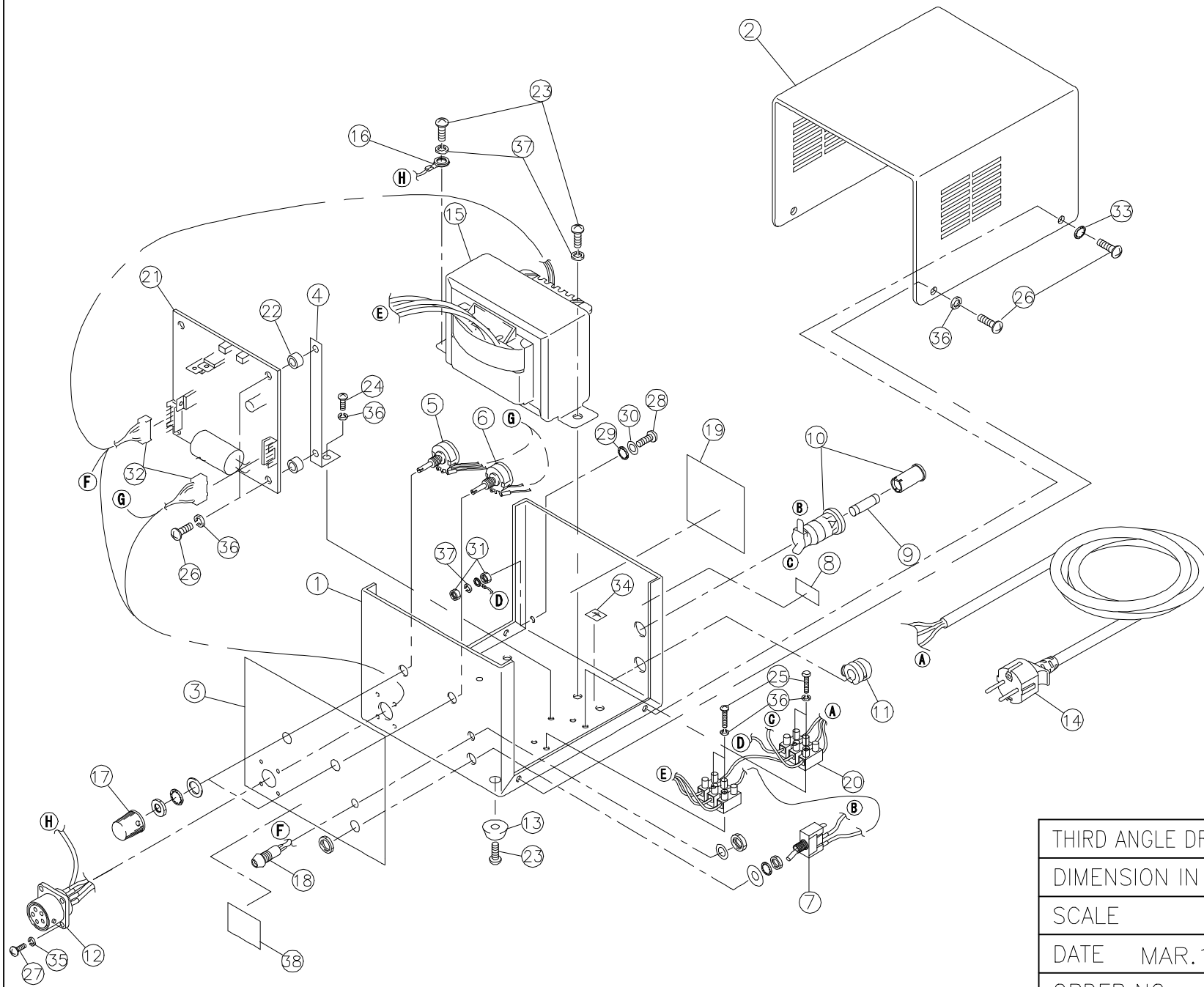


# Delvo

## CONTROLLER

DLC1213-GGB



No.	Parts Name	Parts No.	Q.ty
1	Chassis	TV02089	1
2	Cover	TV02090	1
3	Face Plate	TV02129	1
4	Control Base Mounting Bracket	TV02091	2
5	Speed Potentiometer	TV01096	1
6	Soft Start Potentiometer	TV01097	1
7	Power Switch	TV01026	1
8	Fuse Label	TV01943	1
9	Fuse	TV01029	1
10	Fuse Holder	TV01944	1
11	Cord Stop	TV01095	1
12	Receptacle	TV00584	1
13	Rubber Foot	TV01094	4
14	Cord Assembly	TD02562	1
15	Transformer	TV01107	1
16	Ground Wire Assembly	TD02719	1
17	Potentiometer Knob	TV00339	2
18	Pilot Lamp	TV01093	1
19	Name Label		1
20	Terminal Block	TV02313	2
21	Control Base Assembly	TD02675	1
22	Collar	TV02079	4
23	Tapping Screw	TV02134	6
24	Tapping Screw	TV01138	2
25	Tapping Screw	TV01947	4
26	Tapping Screw	TV02242	8
27	Tapping Screw	TV02249	4
28	Screw	TV01951	1
29	Ground Screw Lock Washer	TV02245	1
30	Washer	TV02246	1
31	Nut	TV02166	2
32	Socket Assembly	TD02435	2
33	Cover Lock Washer	TV00516	2
34	Ground Label	TV01857	1
35	Spring Washer	TV02203	4
36	Spring Washer	TV01948	12
37	Spring Washer	TV01949	3
38	Warning Label	TV00041	1

THIRD ANGLE DRAWING		NITTO KOHKI CO., LTD.	
DIMENSION IN			
SCALE		DRAWING TITLE	
DATE MAR.11'02		PARTS LIST	
ORDER NO.			
APPROVED	CHECKED	DESIGNED	DRAWN
			DRG. NO. OW31740