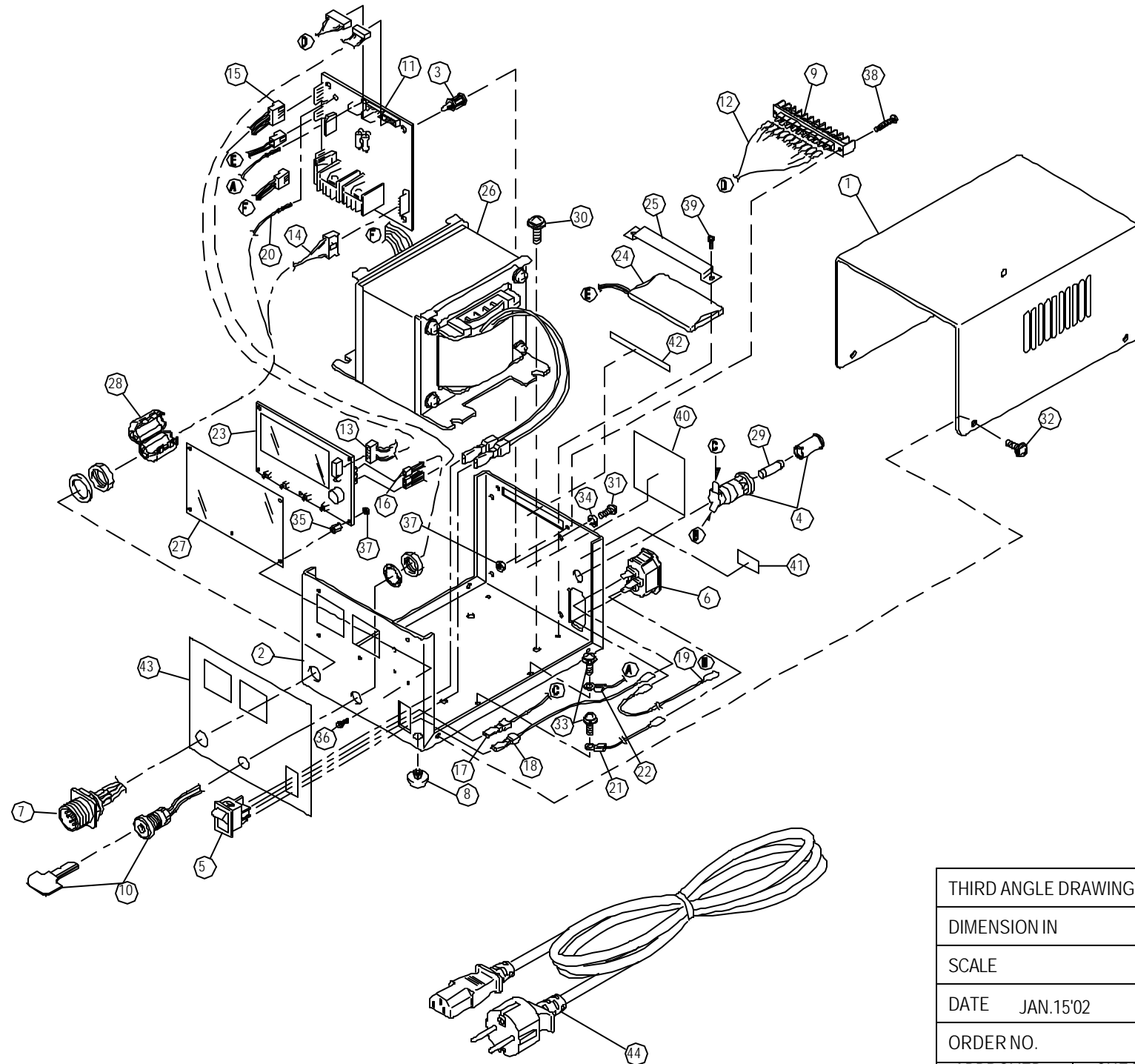


Delvo

CONTROLLER

DLR1510-JE



No.	Parts Name	Parts No.	Q.ty
1	Cover	TV02340	1
2	Chassis	TV02361	1
3	Spacer	TV00643	4
4	Fuse Holder	TV01840	1
5	Power Switch	TV03298	1
6	Inlet	TV01842	1
7	Receptacle	TD02001	1
8	Plastic Foot	TV01132	4
9	Terminal Block	TV02409	1
10	Keylock Switch	TV02410	1
11	Control Base Assembly	TD03221	1
12	Signal Wire Assembly(A)	TD02712	1
13	Signal Wire Assembly(B)	TD02713	1
14	Socket Assembly(A)	TD02714	1
15	Socket Assembly(D)	TD02715	1
16	Socket Assembly(E)	TD02716	1
17	Wire Assembly(A)(Brown)	TD02678	1
18	Wire Assembly(A)(Blue)	TD02679	1
19	Wire Assembly(B)	TD02680	1
20	Wire Assembly(D)	TD02681	1
21	Ground Wire Assembly(A)	TD02682	1
22	Ground Wire Assembly(B)	TD02683	1
23	Control Base Assembly (For Counter)	TD02717	1
24	Battely Assembly	TD02718	1
25	Battely Mounting Bracket	TV02370	1
26	Transformer	TV02371	1
27	Protection Plate	TV02373	1
28	Noise Suppressor	TV01444	1
29	Fuse	TV01030	1
30	Tapping Screw With Washer	TV02374	4
31	Tapping Screw	TV02375	4
32	Tapping Screw With Washer	TV02376	4
33	Screw With Washer	TV02407	2
34	Spring Washer	TV01859	4
35	Spacer	TV02399	4
36	Screw	TV02400	5
37	Nut	TV02243	7
38	Screw With Washer	TV02401	2
39	Screw With Washer	TV02402	2
40	Name Label	TV02403	1
41	Fuse Label	TV01861	1
42	Terminal Block Label	TV02404	1
43	Face Plate	TV02405	1
44	Cord Assembly	TD02684	1

THIRD ANGLE DRAWING		NITTO KOHKI CO., LTD.	
DIMENSION IN			
SCALE		DRAWING TITLE	PARTS LIST
DATE JAN.15'02			
ORDER NO.			
APPROVED	CHECKED	DESIGNED	DRAWN
			DRG. NO. OW31733