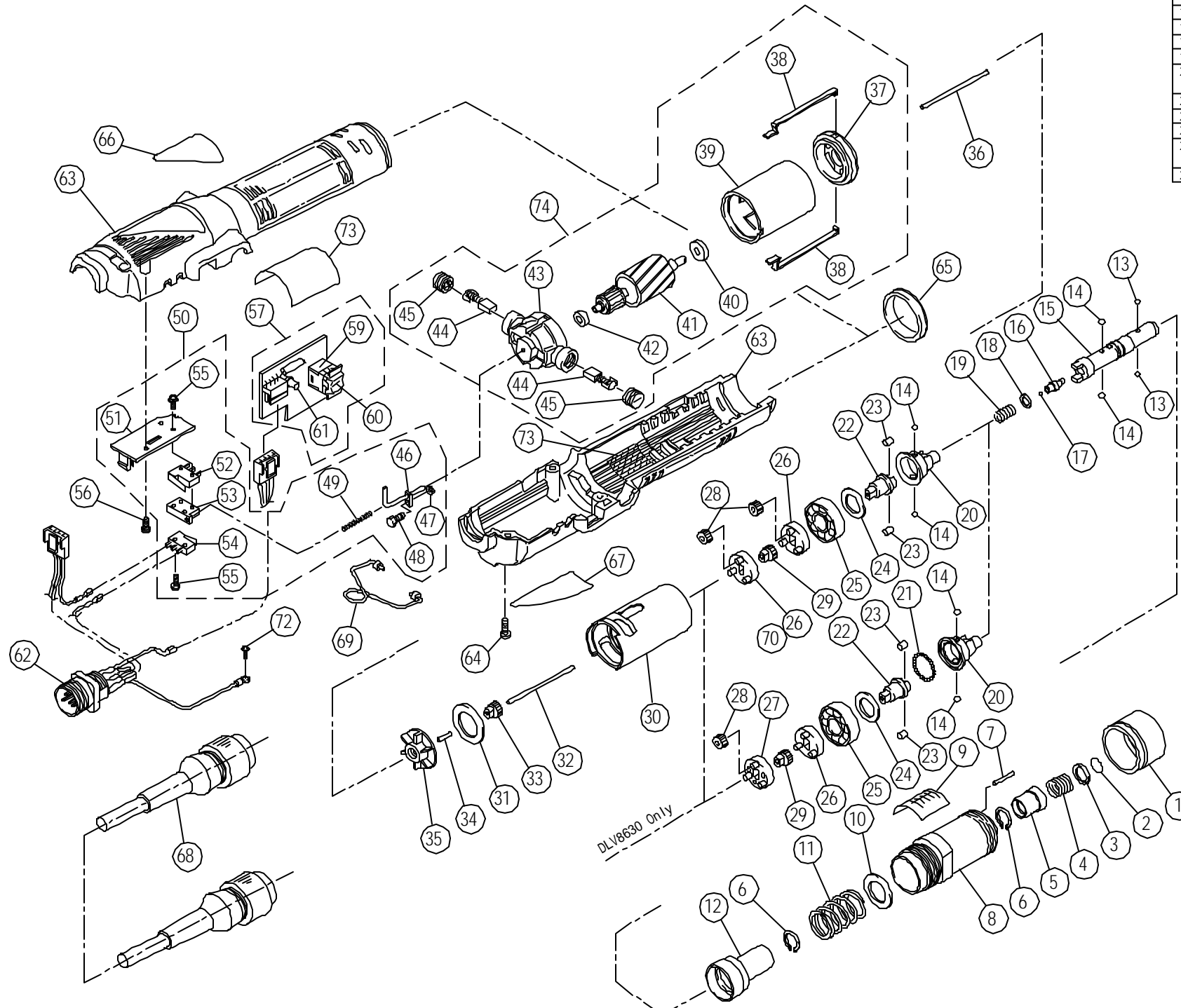


# Delvo

## ELECTRIC SCREW-DRIVER

DLV8530-MKE/BKE DLV8630-MKE/BKE  
 DLV8540-MKE/BKE DLV8640-MKE/BKE  
 DLV8550-MKE/BKE DLV8650-MKE/BKE



No.	Parts Name	Parts No.	Q'ty	(Parts No.)	No.	Parts Name	Parts No.	Q'ty	(Parts No.)
1	Spring Adjusting Ring	TV00387	1	5461085K	26	Gear Base (B) Assembly(DLV8530/8540)	TD01830	2	5461036A
2	Slop Ring	TV00149	1	5462316K		Gear Base (B) Assembly(DLV8550)	TD01830	1	5461036A
3	Holder Collar	TV00357	1	5461051K		Gear Base (B) Assembly(DLV8640)	TD01803	2	5461036B
4	Holder Spring	TV00356	1	5461050K		Gear Base (B) Assembly(DLV8650)	TD01871	2	5461036C
5	Holder Clamp	TV00355	1	5461049K		Gear Base (B) Assembly(DLV8630)	TD02940	1	5461036D
6	Slop	LP10494	2	5462712K	27	Gear Base Assembly	TD02439	1	5461036E
7	Roller Pin 2mm DIA. -17.8mm	TV00109	3	5462735K	28	Idle Gear(DLV8530)	TV00008	6	5462116K
8	Nose Nut Assembly	TD01829	1	5461088A		Idle Gear(DLV8540)	TV00206	6	5462202K
9	Scale Label	TV00391	1	5461089K		Idle Gear(DLV8550)	TV00411	6	5461093K
10	Plate for Spring	TV00351	1	5461030K		Idle Gear(DLV8630)	TV00411	3	5461093K
11	Clutch Spring(DLV8530)	TV00037	1	5462136K		Idle Gear(DLV8640)	TV00005	6	5464508K
	Clutch Spring(DLV8630)	TV00419	1	5461042K		Idle Gear(DLV8650)	TV00270	6	5464513K
	Clutch Spring(DLV8540/864)	TV00402	1	5464062K	29	Spindle Gear(DLV8530/8630)	TV00354	1	5461044K
	Clutch Spring(DLV8550/8650)	TV00143	1	5464008K		Spindle Gear(DLV8540)	TV00404	1	5461045K
12	Taper-Ring Assembly(DLV8530/8540/8550/8640)	TD01827	1	5461019A		Spindle Gear(DLV8550)	TV00413	1	5461277K
	Taper-Ring Assembly(DLV8630)	TD01857	1	5461020A		Spindle Gear(DLV8640)	TV00428	1	5461046K
	Taper-Ring Assembly(DLV8650)	TD01870	1	5461019B		Spindle Gear(DLV8650)	TV00433	1	5461048K
13	Steel Ball 3/32" DIA.	CP20000	2	5462783K	30	Gear Case(DLV8530)	TV00353	1	5461090K
14	Steel Ball 5/32" DIA.	CP01181	4	5462704K		Gear Case(DLV8540)	TV00403	1	5461092K
15	Bit Holder Assembly	TD01828	1	5461027A		Gear Case(DLV8550/8630/8640/8660)	TV00412	1	5461091K
16	Pilot (A)	TV00352	1	5461077K	31	Gear Cover	TV00390	1	5461302K
17	Steel Ball 1/16" DIA.	TP17155	1	5462705K	32	Pilot Rod (I)	TV00358	1	5461336K
18	Washer for Push Spring	TV00349	1	5461028K	33	Motor Gear(DLV8530)	TV00389	1	5461013K
19	Push Spring	TV00350	1	5461029K		Motor Gear(DLV8540)	TV00405	1	5461014K
20	Cam Guide(DLV8630)	TV00420	1	5461023K		Motor Gear(DLV8550/8630)	TV00414	1	5461275K
	Cam Guide(all others)	TV00344	1	5461022K		Motor Gear(DLV8640)	TV00429	1	5461016K
21	Steel Ball 2mm DIA.	TV00121	27	5462703K		Motor Gear(DLV8650)	TV00434	1	5461017K
22	Cam	TV00347	1	5461086K	34	Pilot Rod (G)	TV00082	1	5461276K
23	Roller Pin 4.5mm DIA.-4.5mm	TV00127	2	5464701K	35	Fan(DLV8630)	TD01884	1	5461152K
24	Washer(DLV8630)	TV00421	1	5461025K		Fan(all others)	TD00592	1	5462111K
	Washer(all others)	TV00348	1	5461087K	36	Pilot Rod (J)	TV00388	1	5461012K
25	Ball Bearing	TP02715	1	5461035K	37	End Cover (G)	TV00370	1	5461096K
					38	Assembly Spring	TV00371	2	5461099K
					39	Yoke Assembly(DLV8530/8540/8550)	TD00571	1	5462002K
						Yoke Assembly(DLV8630/8640/8660)	TD00591	1	5462008K
40	Ball Bearing	TV00369	1	5461094K	41	Rotor Assembly(DLV8530/8540/8550)	TD01800	1	5462048K
						Rotor Assembly(DLV8630)	TD01859	1	5462049K
						Rotor Assembly(DLV8640/8650)	TD01866	1	5462050K
42	Ball Bearing	TV00069	1	5462101K	43	End Cover (R)	TD01834	1	5461323K
43	End Cover (R)	TD01834	1	5461323K	44	Brush Assembly	TD01802	2	5461377K
44	Brush Assembly	TD01802	2	5461377K	45	Brush Cap	TV00085	2	5462106K
45	Brush Cap	TV00085	2	5462106K	46	Pilot Rod (D)	TD00583	1	5462168K
46	Pilot Rod (D)	TD00583	1	5462168K	47	Nut	TV00101	1	5462709K
47	Nut	TV00101	1	5462709K	48	Adjusting Screw	TV00070	1	5462169K
48	Adjusting Screw	TV00070	1	5462169K	49	Spring for Pilot	TV00203	1	5462171K
49	Spring for Pilot	TV00203	1	5462171K	50	Circuit Board Assembly for Micro-Switch	TD01837	1	5461375K
50	Circuit Board Assembly for Micro-Switch	TD01837	1	5461375K	51	Circuit Board sub Assembly for Micro-Switch	TD02821	1	5461328A
51	Circuit Board sub Assembly for Micro-Switch	TD02821	1	5461328A	52	Micro-Switch (Start)	TV00379	1	5461119K
52	Micro-Switch (Start)	TV00379	1	5461119K	53	Plate	TV00198	1	5462167K
53	Plate	TV00198	1	5462167K	54	Micro-Switch (Brake)	TV00380	1	5461120K
54	Micro-Switch (Brake)	TV00380	1	5461120K	55	Screw M2.3X12mm	TV00205	4	5462708K
55	Screw M2.3X12mm	TV00205	4	5462708K	56	Screw M2.3X5mm	TV00207	2	5462729K
56	Screw M2.3X5mm	TV00207	2	5462729K	57	Circuit Board Assembly for Change-Over Switch	TD01836	1	5461374K
57	Circuit Board Assembly for Change-Over Switch	TD01836	1	5461374K	59	Change-Over Switch	TV00373	1	5461069K
59	Change-Over Switch	TV00373	1	5461069K	60	Change-Over Switch Rocker(DLV8530 (Orange))	TV00100	1	5462192K
60	Change-Over Switch Rocker(DLV8530 (Orange))	TV00100	1	5462192K		Change-Over Switch Rocker(DLV8540 (White))	TV00099	1	5462193K
	Change-Over Switch Rocker(DLV8540 (White))	TV00099	1	5462193K		Change-Over Switch Rocker(DLV8550 (Blue))	TV00230	1	5462196K
	Change-Over Switch Rocker(DLV8550 (Blue))	TV00230	1	5462196K		Change-Over Switch Rocker(DLV8630 (Red))	TV00258	1	5462195K
	Change-Over Switch Rocker(DLV8630 (Red))	TV00258	1	5462195K		Change-Over Switch Rocker(DLV8640 (Gray))	TV00225	1	5462191K
	Change-Over Switch Rocker(DLV8640 (Gray))	TV00225	1	5462191K		Change-Over Switch Rocker(DLV8650 (Yellow))	TV00252	1	5462194K
	Change-Over Switch Rocker(DLV8650 (Yellow))	TV00252	1	5462194K	61	LED for Torque-Reach	TV00374	1	5461325K
61	LED for Torque-Reach	TV00374	1	5461325K	62	Receptacle Assembly	TD01875	1	5461381K
62	Receptacle Assembly	TD01875	1	5461381K	63	Frame (A) (MKE type)	TD01824	1	5461320K
63	Frame (A) (MKE type)	TD01824	1	5461320K		Frame (B) (MKE type)			
	Frame (B) (MKE type)					Frame (A) (BKE type)	TD02487	1	5460782K
	Frame (A) (BKE type)	TD02487	1	5460782K		Frame (B) (BKE type)			
	Frame (B) (BKE type)				64	Screw	TV00209	3	5462710K
64	Screw	TV00209	3	5462710K	65	Coupling	TV00336	1	5461322K
65	Coupling	TV00336	1	5461322K	66	Rating Label		1	
66	Rating Label		1		67	Warning Label		1	
67	Warning Label		1		68	Power Cord Assembly (MKE type)	TD01838	1	5461330K
68	Power Cord Assembly (MKE type)	TD01838	1	5461330K		Power Cord Assembly (BKE type)	TD02488	1	5460759K
	Power Cord Assembly (BKE type)	TD02488	1	5460759K	69	Lifting Hook Assembly	TD00585	1	5462181K
69	Lifting Hook Assembly	TD00585	1	5462181K	70	Gear Base Assembly(DLV8550)	TD01852	1	5461278A
70	Gear Base Assembly(DLV8550)	TD01852	1	5461278A	72	Screw M2.6X4mm	TV00438	1	5461333K
72	Screw M2.6X4mm	TV00438	1	5461333K	73	Vibration Proof Seal	TV00385	1	5461328K
73	Vibration Proof Seal	TV00385	1	5461328K	74	Motor Assembly(DLV8530/8540/8550)	TD01831	1	
74	Motor Assembly(DLV8530/8540/8550)	TD01831	1			Motor Assembly(DLV8630)	TD01858	1	
	Motor Assembly(DLV8630)	TD01858	1			Motor Assembly(DLV8640/8650)	TD01865	1	
	Motor Assembly(DLV8640/8650)	TD01865	1						

REVISIONS: f) JUL.24,2001

THIRD ANGLE DRAWING		NITTO KOHKI CO.,LTD.	
DIMENSION IN			
SCALE		DRAWING TITLE	PARTS LIST
DATE NOV.18,1996			
ORDER NO.		DLV8500/8600-MKE/BKE	
APPROVED	CHECKED	DESIGNED	DRAWN
			DRG. NO. OW20589 f