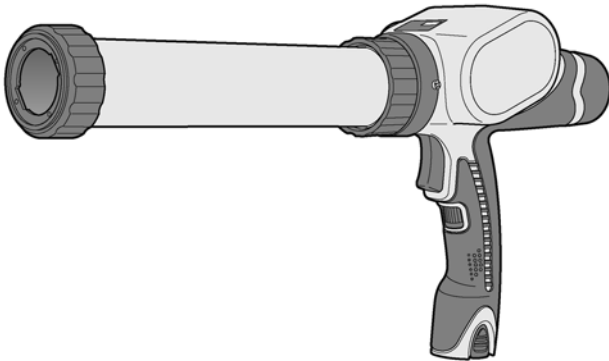


# Service Manual

Variable Speed Cordless Sealing Gun

Model No. **EY3610**

Europe



## **⚠ WARNING**

This service information is designed for experienced repair technicians only and is not designed for use by the general public. It does not contain warnings or cautions to advise non-technical individuals of potential dangers in attempting to service a product. Products powered by electricity should be serviced or repaired only by experienced professional technicians. Any attempt to service or repair the product or products dealt with in this service information by anyone else could result in serious injury or death.

## **IMPORTANT SAFETY NOTICE**

There are special components used in this equipment which are important for safety. These parts are marked by **⚠** in the Schematic Diagrams, Circuit Board Diagrams, Exploded Views and Replacement Parts List. It is essential that these critical parts should be replaced with manufacturer's specified parts to prevent shock, fire or other hazards. Do not modify the original design without permission of manufacturer.

## **TABLE OF CONTENTS**

	PAGE	PAGE
1 Warning	2	
2 Specifications	2	
3 Troubleshooting Guide	3	
4 Trial Operation (After Checking Troubleshooting Guide)	5	
5 Disassembly and Assembly Instructions	6	
6 Wiring Connection Diagram	13	
7 Schematic Diagram	13	
8 Exploded View and Replacement Parts List	14	

# Panasonic

© Panasonic Eco Solutions Power Tools Co., Ltd. 2012. All rights reserved. Unauthorized copying and distribution is a violation of law.

# 1 Warning

## Caution:

- Pb free solder has a higher melting point than standard solder; Typically the melting point is 50 - 70°F (30 - 40°C) higher. Please use a soldering iron with temperature control and adjust it to 750 ± 20°F (400 ± 10°C). In case of using high temperature soldering iron, please be careful not to heat too long.
- Pb free solder will tend to splash when heated too high (about 1100°F / 600°C).

# 2 Specifications

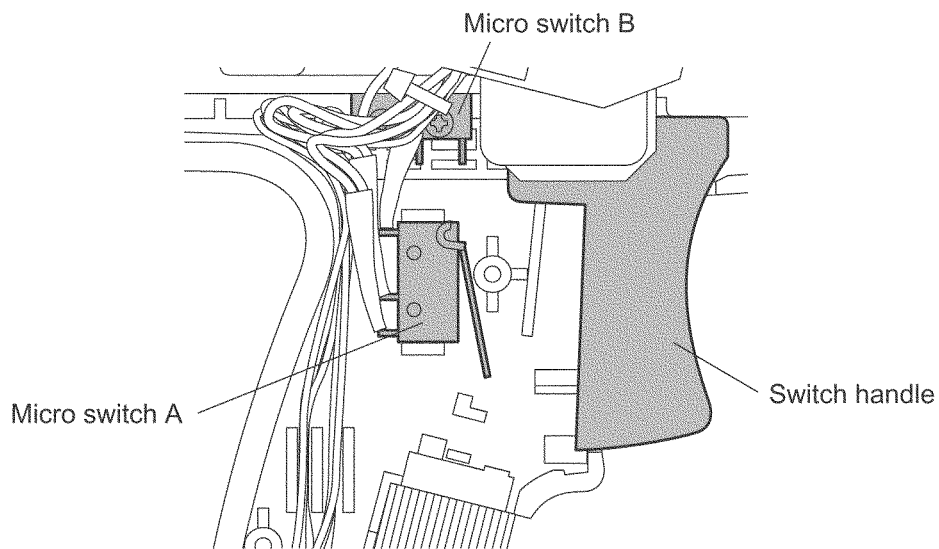
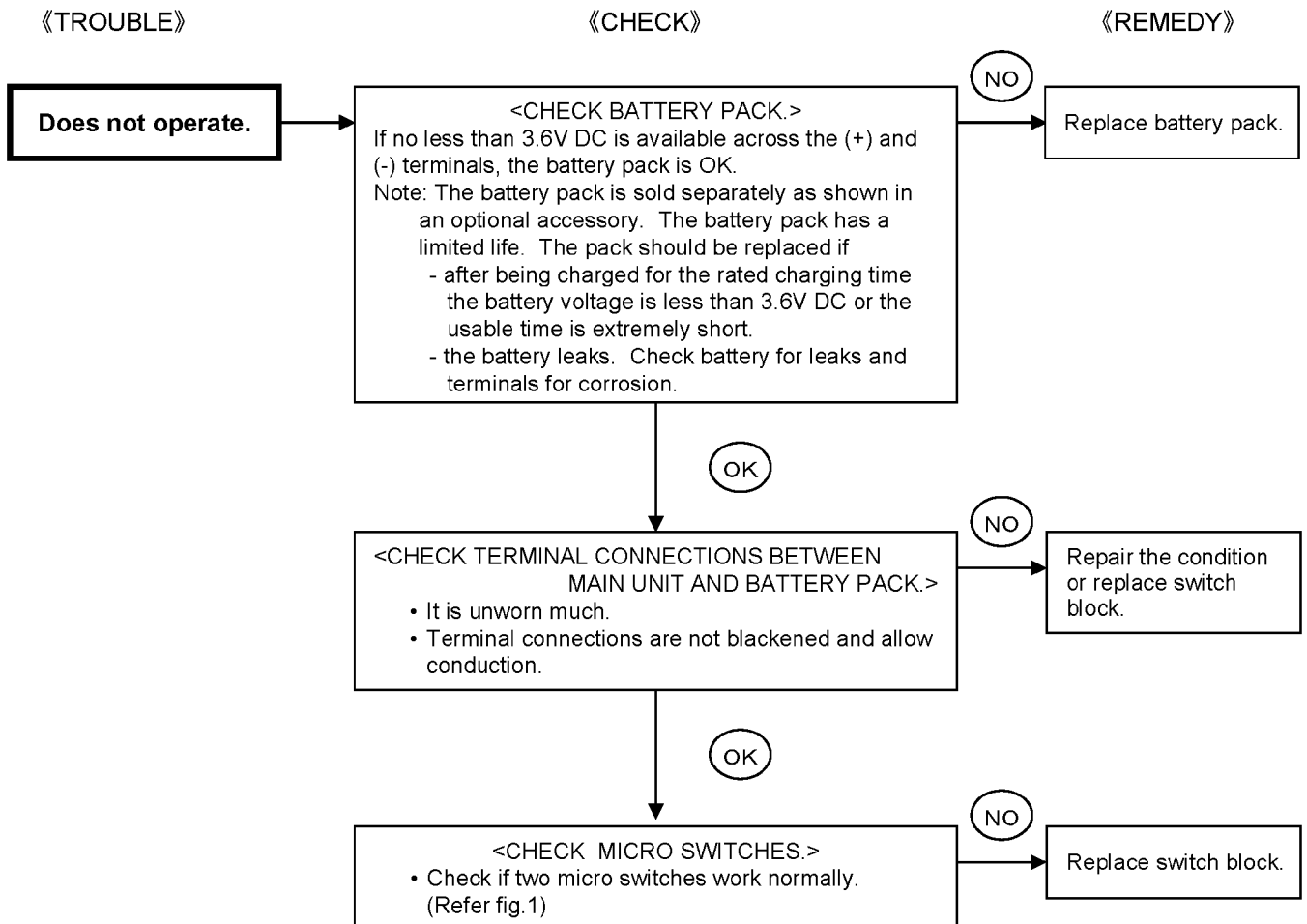
## Main Unit

Model	EY3610
Motor	3.6 V DC
Ejection pressure	2.5 kN (250 kgf)
Overall length	501 mm
Weight (with battery pack: EY9L10)	2.15 kg
Typical Noise Emission Values according to EN 60745	Sound Pressure Level ( $L_{pA}$ ); $\leq 63$ dB (A) Sound Power Level ( $L_{WA}$ ); $\leq 74$ dB (re1pw) Uncertainty (K); 3 dB
Typical Vibration according to EN 60745	$\leq 1.66$ m/s <sup>2</sup> Uncertainty (K); 1.5 m/s <sup>2</sup>

## Battery Pack

Model	EY9L10
Storage battery	Li-ion Battery
Battery voltage	3.6 V DC

# 3 Troubleshooting Guide



《TROUBLE》

《CHECK》

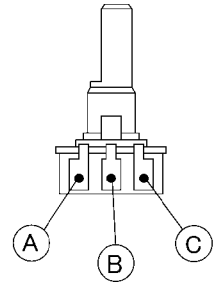
《REMEDY》

**Does not speed-control.**

<CHECK VARIABLE RESISTANCE.>  
Disconnect lead wires coming from the variable resistance :  
• There should be  $50 \pm 10k\Omega$  between A and B.  
• There should be  $0 \sim 50 \pm 10k\Omega$  between A and C.

NO

Replace switch block.

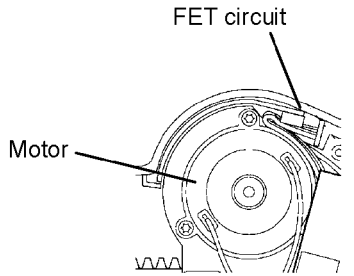


OK

<CHECK FET CIRCUIT.>  
• Check if FET shows signs of burning.  
• Check if FET is short-circuited due to the broken cover of lead wire touching with the motor.

NO

Replace switch block.



OK

<CHECK MOTOR.>  
The motor normally operates with its white (+) and black (-) lead wires connected to 3.6V DC.  
\* Be careful not to mix up the white (+) and black (-) lead wires.

NO

Replace motor.

OK

<CHECK MODULE.>  
• Micro switch, variable resistance, FET circuit and motor (without module) does not operate normally.

NO

Replace module.

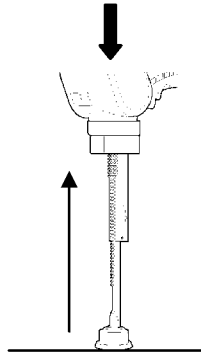
# 4 Trial Operation (After Checking Troubleshooting Guide)

## 4.1. Assembly

- Confirm if there is NO gap between Housing A and B by pinching the lead wires.
- There is no dust or deformation on battery terminals.

## 4.2. Operation

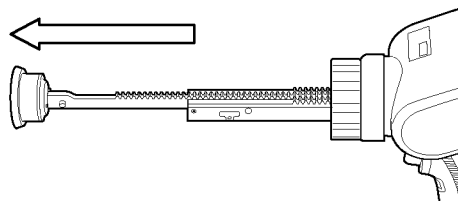
- Confirm if SWITCH turns ON and OFF normally.
- Confirm the smooth changing of HIGH and LOW handle and its changing mode.
- Confirm if caulking pressure is appropriate.  
Place end of the rack guide on floor and turn on the switch leaning your body weight onto the unit instead of using sealing.  
Check if the rack guide extends properly.



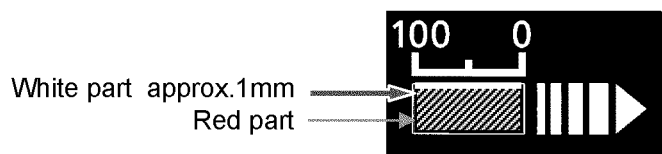
- Confirm if operation is normal attaching the sausage and cartridge attachment.
- There should be no abnormal sound of gears chafing, metallic sound and no abnormal vibration.
- There should be no metallic sound and abnormal sound when shaking up-down and right-left.

## 4.3. Adjustment of remaining amount scale

1. Turn on and extend the rack guide till the end.
2. Furthermore pull it by hand in the direction of arrow until it clicks.



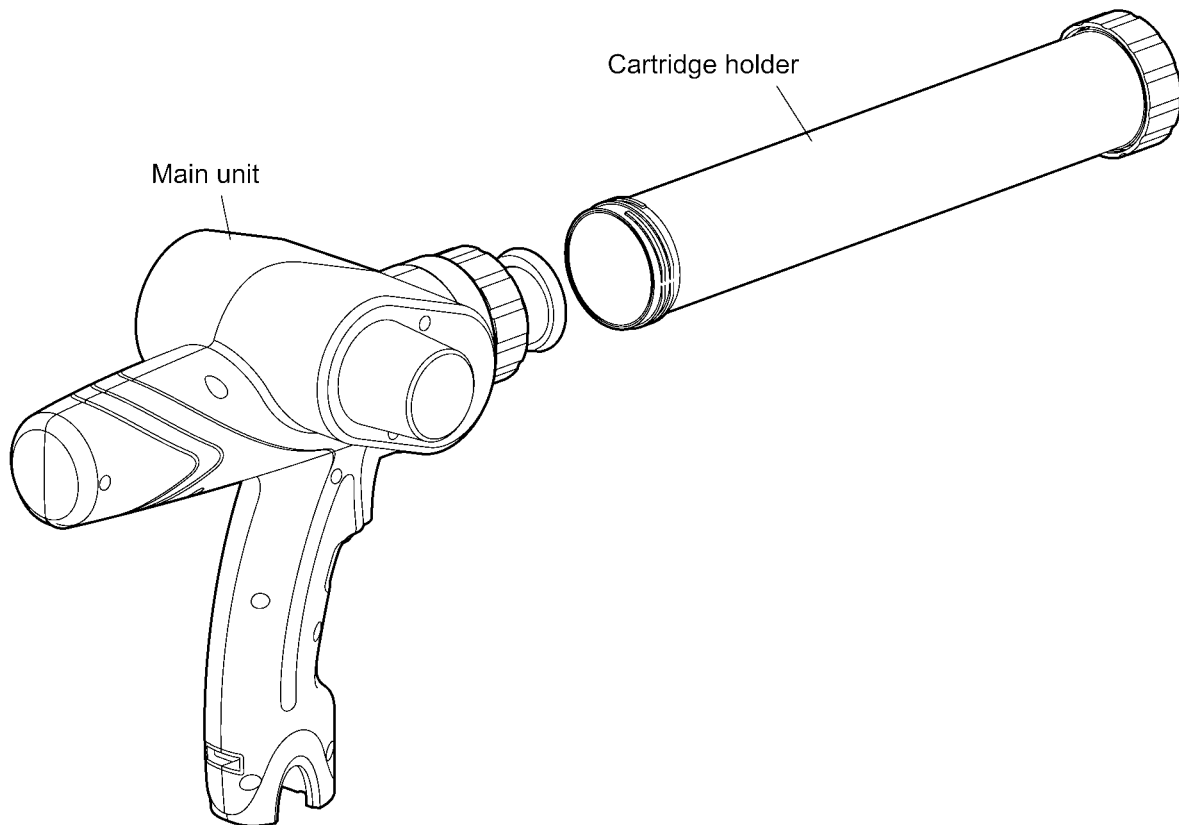
3. Keep pushing the switch again until white part shows approx. 1mm after red part appears.



4. Push the rack guide all the way back inside by hand.

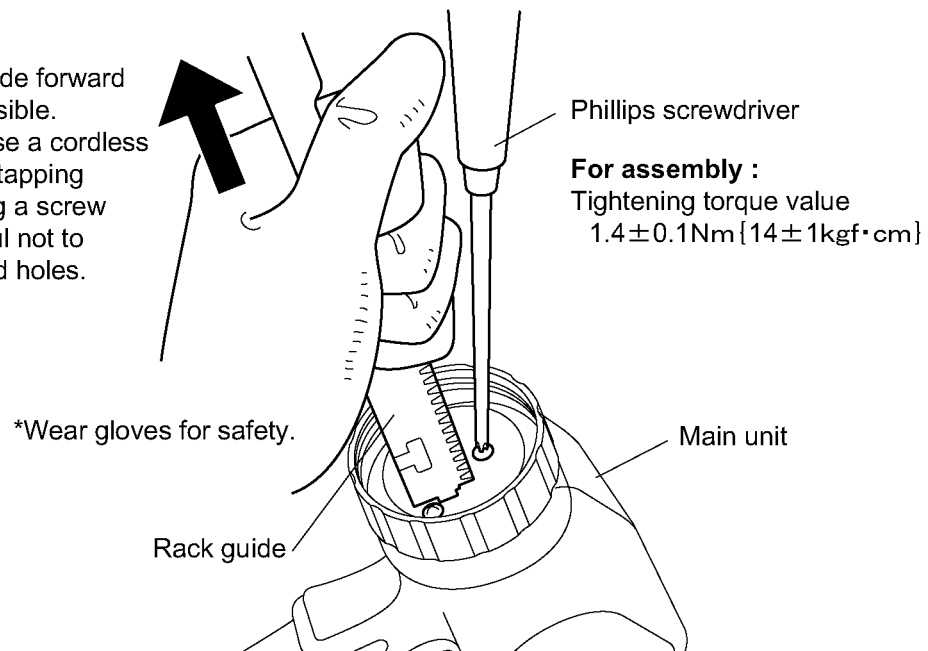
## 5 Disassembly and Assembly Instructions

### 5.1. Remove the cartridge holder from the main unit.

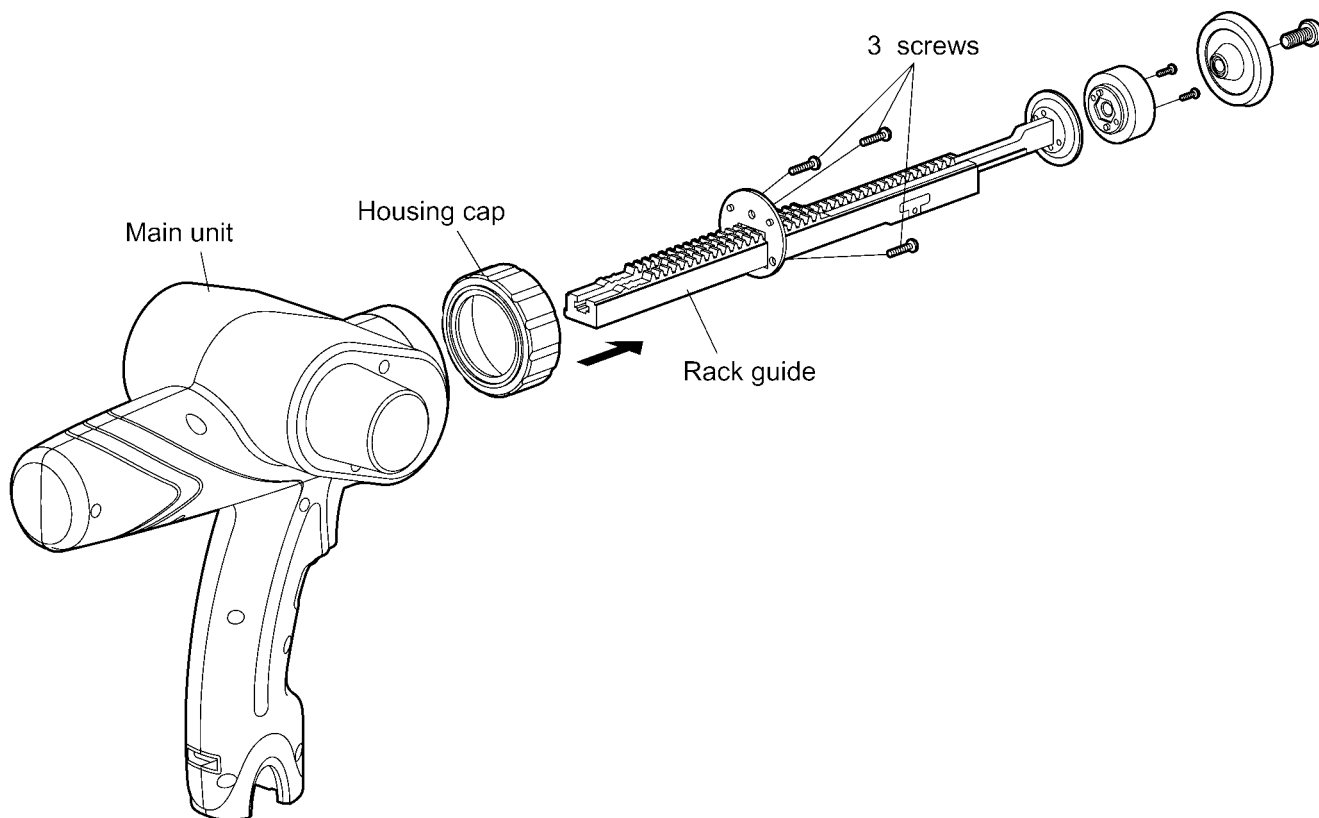


### 5.2. Pull up the rack guide and remove 3 tapping screws.

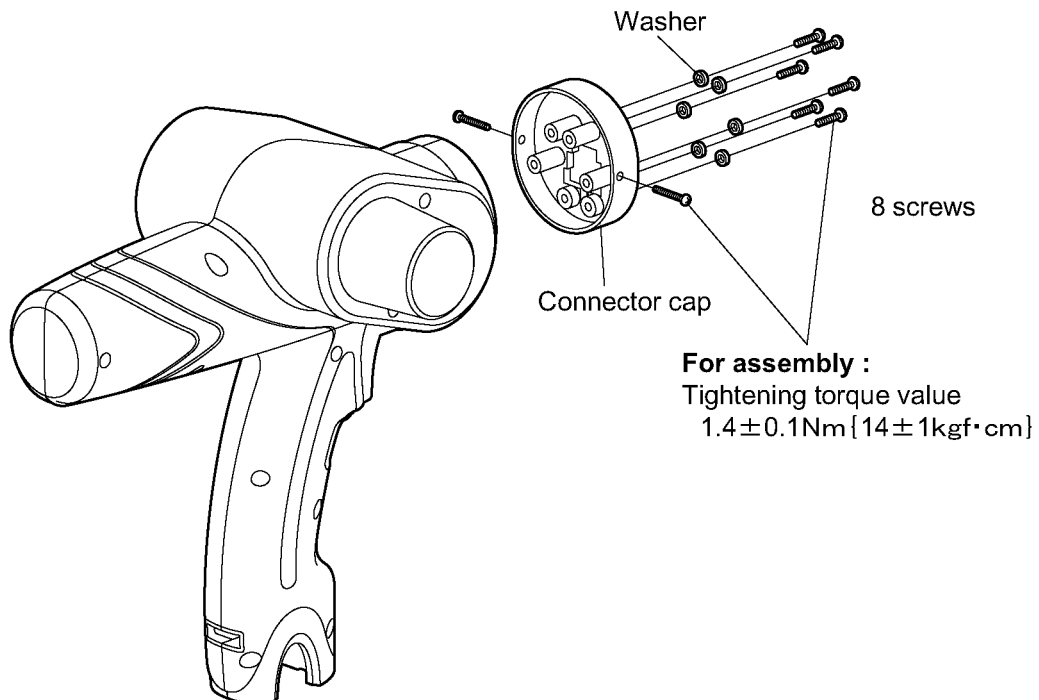
- 1) Pull the rack guide forward as much as possible.
- 2) If you can not use a cordless drill driver, take tapping screws out using a screw driver. Be careful not to break the tapped holes.



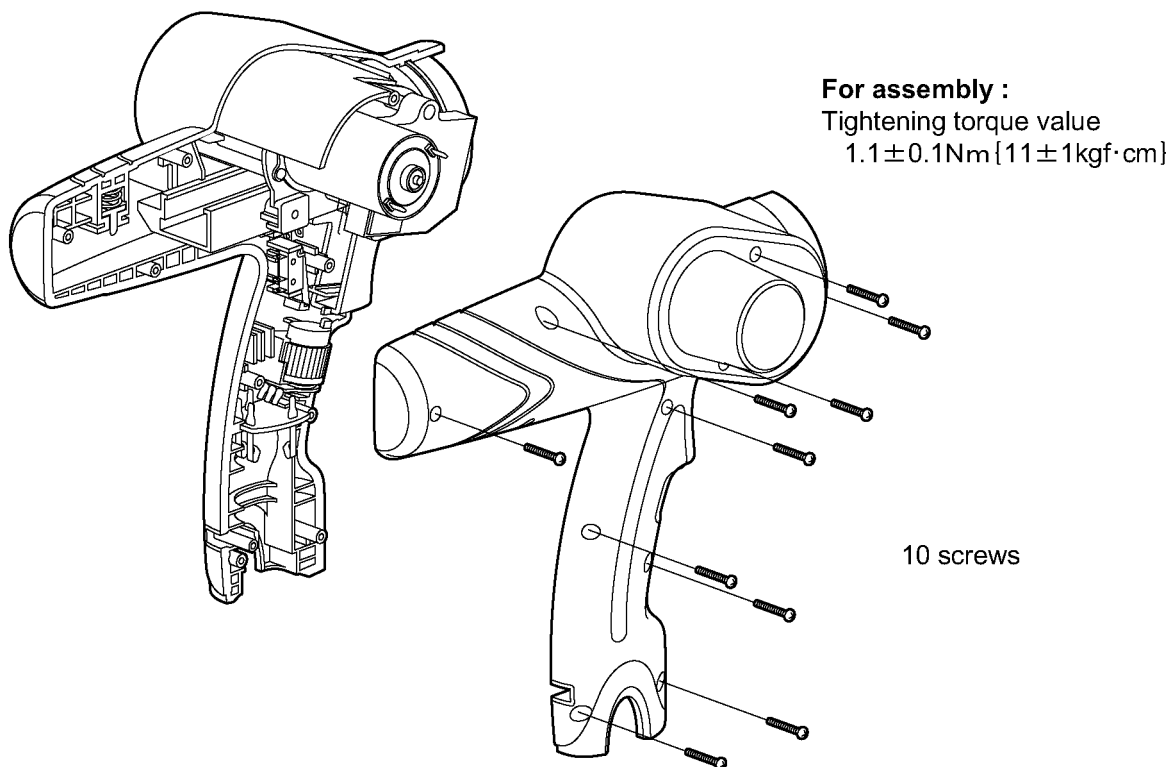
**5.3. Pull the rack guide out forward.**



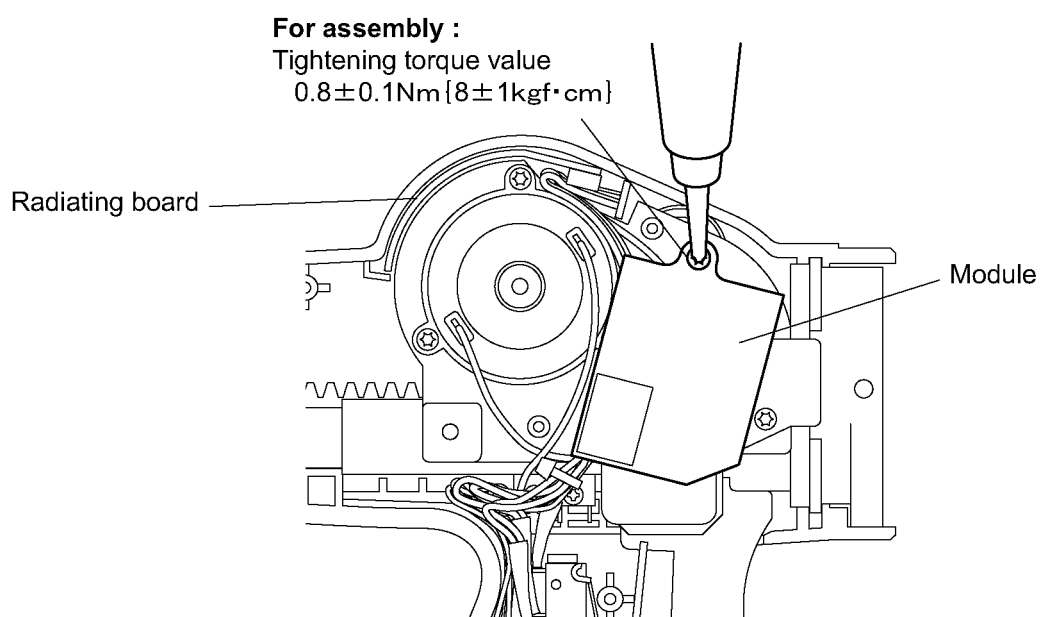
**5.4. Remove a connector cap.**



## 5.5. Remove housing B.

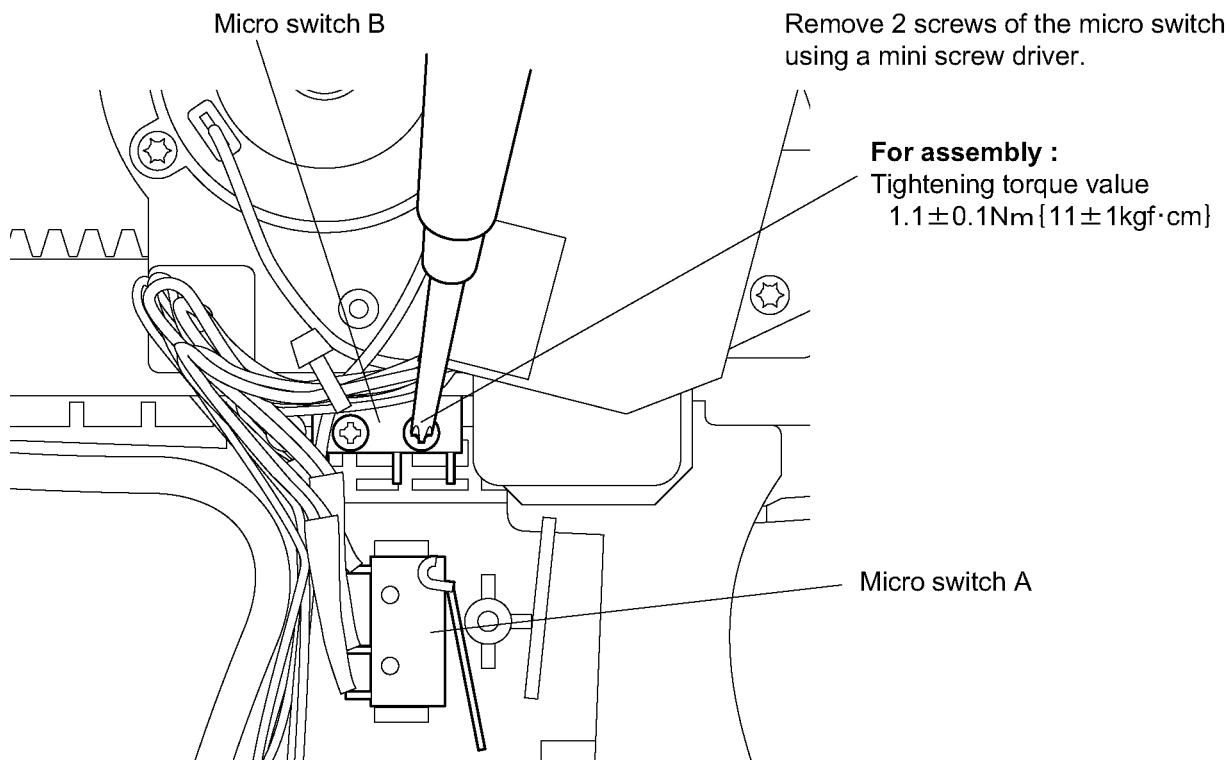


## 5.6. Remove the module.

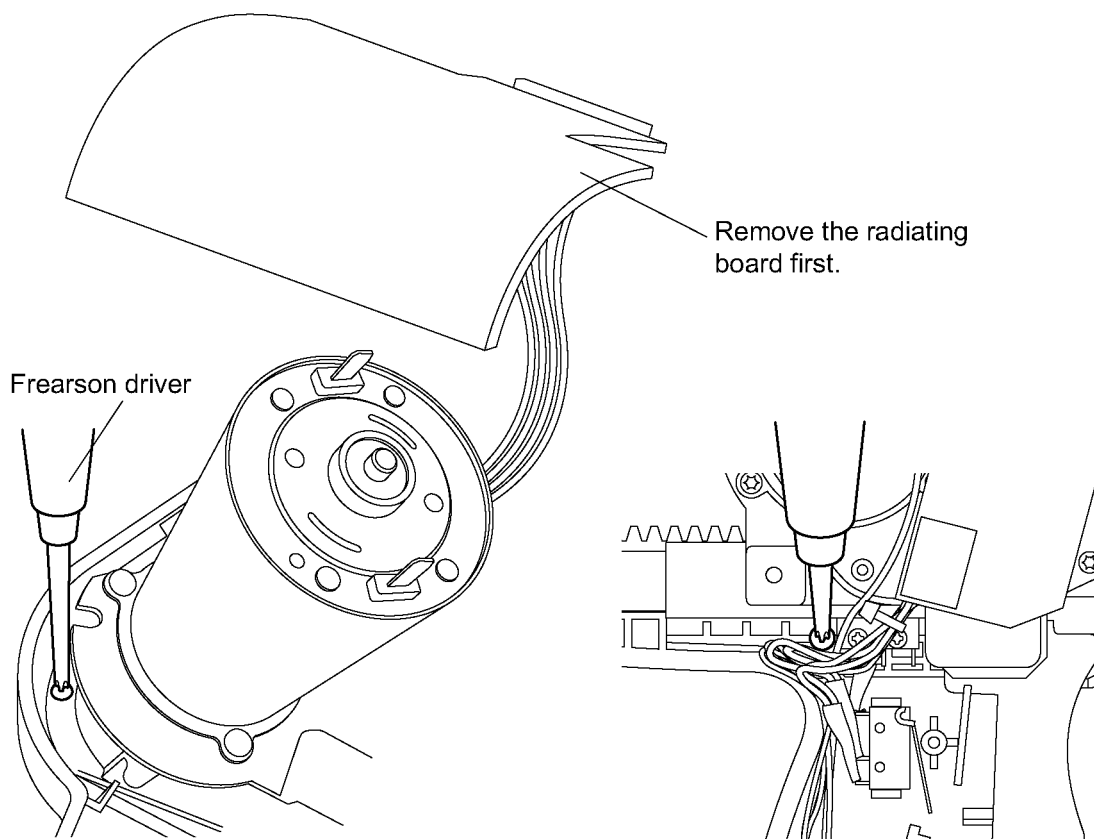




### 5.7. Remove the micro switch.

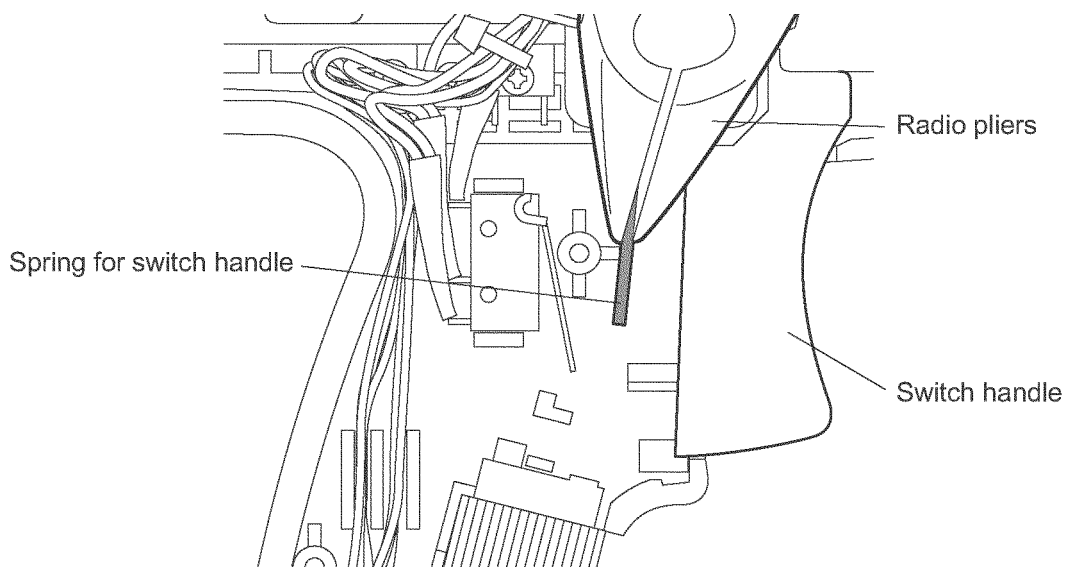


### 5.8. Remove 2 screws of the driving block.

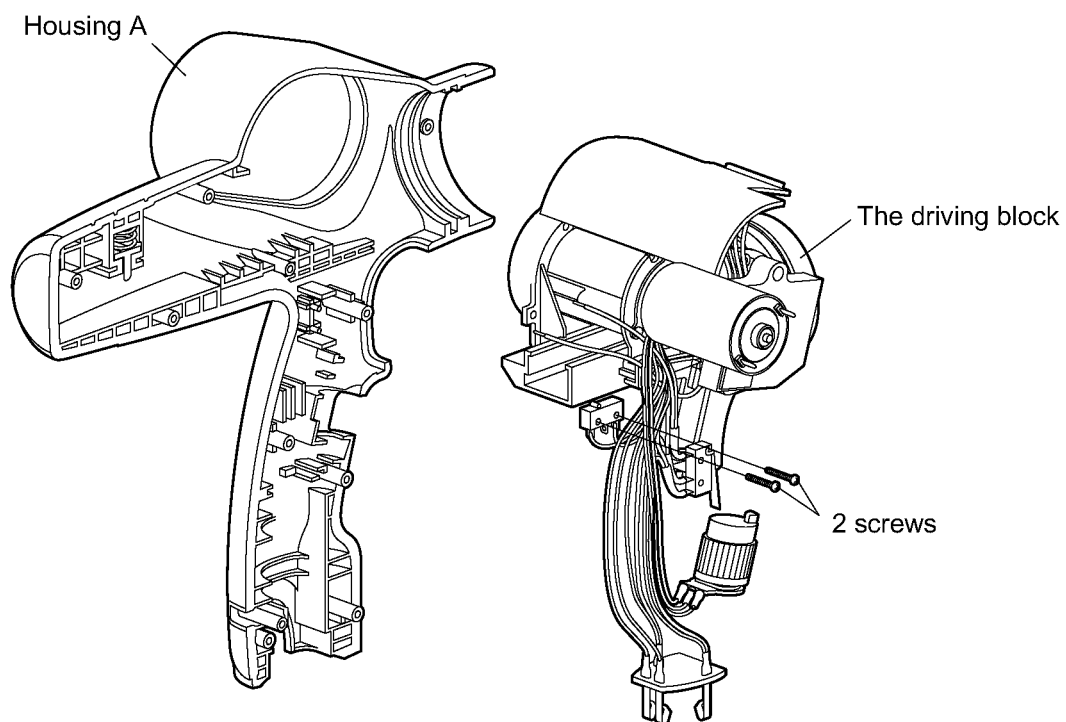


**5.9. Release the spring for switch handle from the housing boss with radio pliers.**

\* Spring for switch handle is strong. Be careful to remove it.



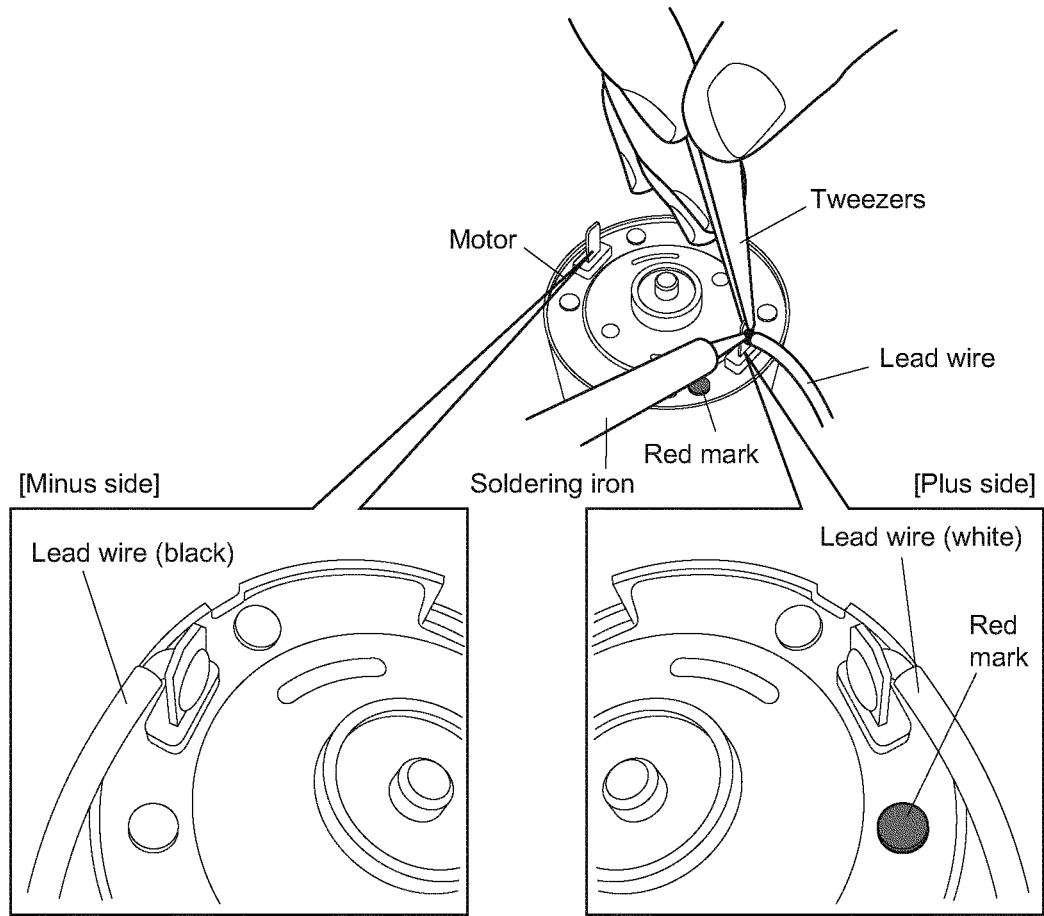
**5.10. Take the driving block parts out from housing A.**



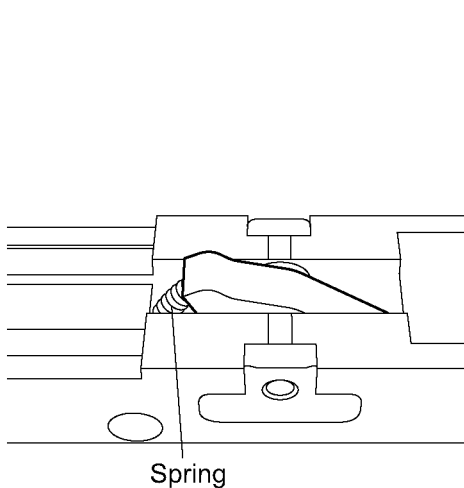
## 5.11. Remove the motor lead wires.

### NOTE:

- Hold the terminal of lead wire with tweezers and touch the soldering iron tip to remove the lead wire.
- type: Insulating type of soldering iron with less than 80W
- procedure: Within 3 seconds with 400°C or less.
- solder: Lead free type (Sn-3Ag-0.5Cu)

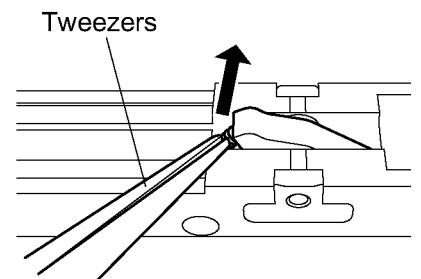


## 5.12. How to remove and install the a spring of the rack guide.



### <Removal>

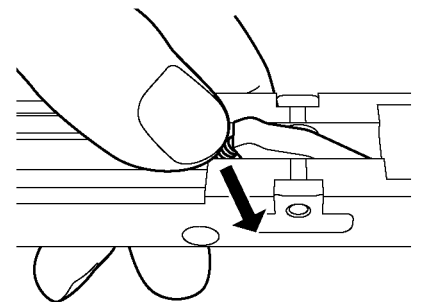
Hold the spring with tweezers and take it out of boss.



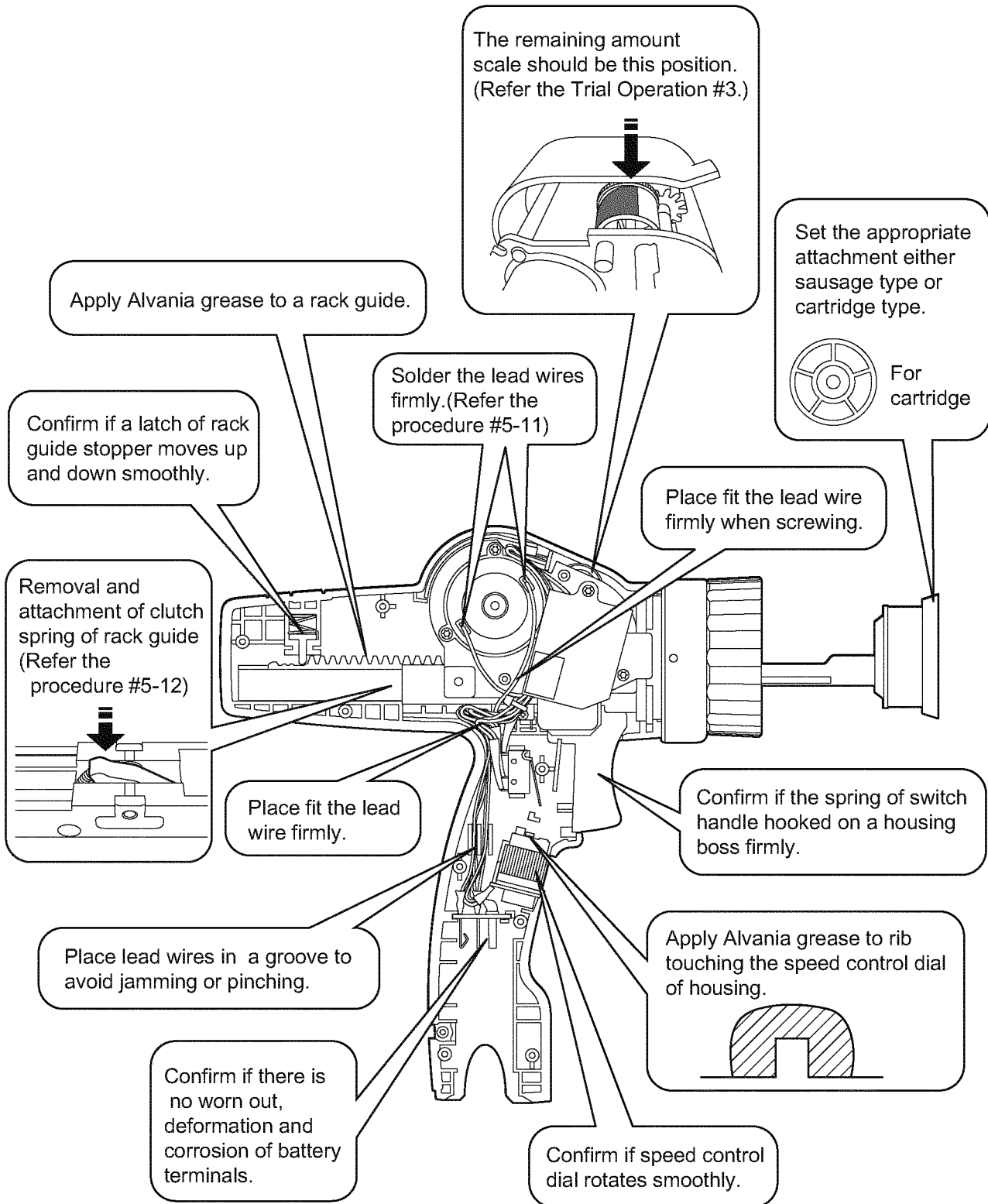
### <Installation>

Install the spring hanging it to downside boss pushing it down with your thumb.

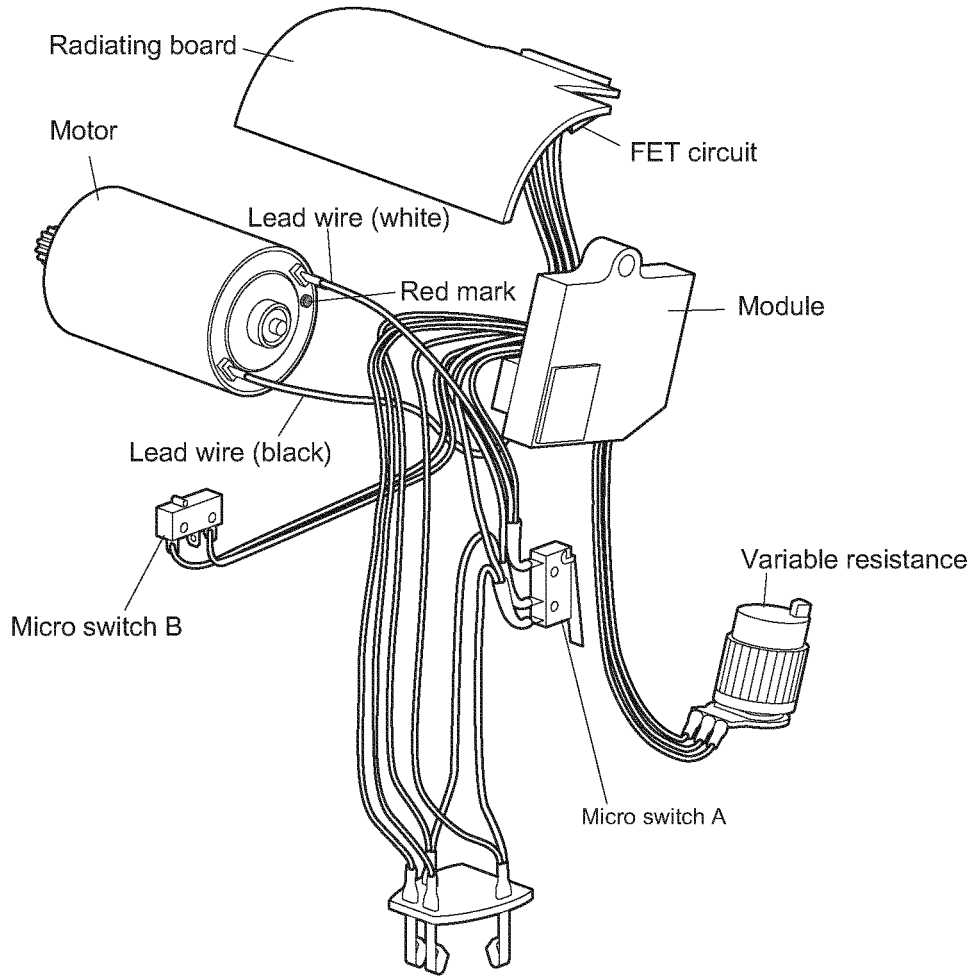
\* Spring may jump out if it is not held enough.



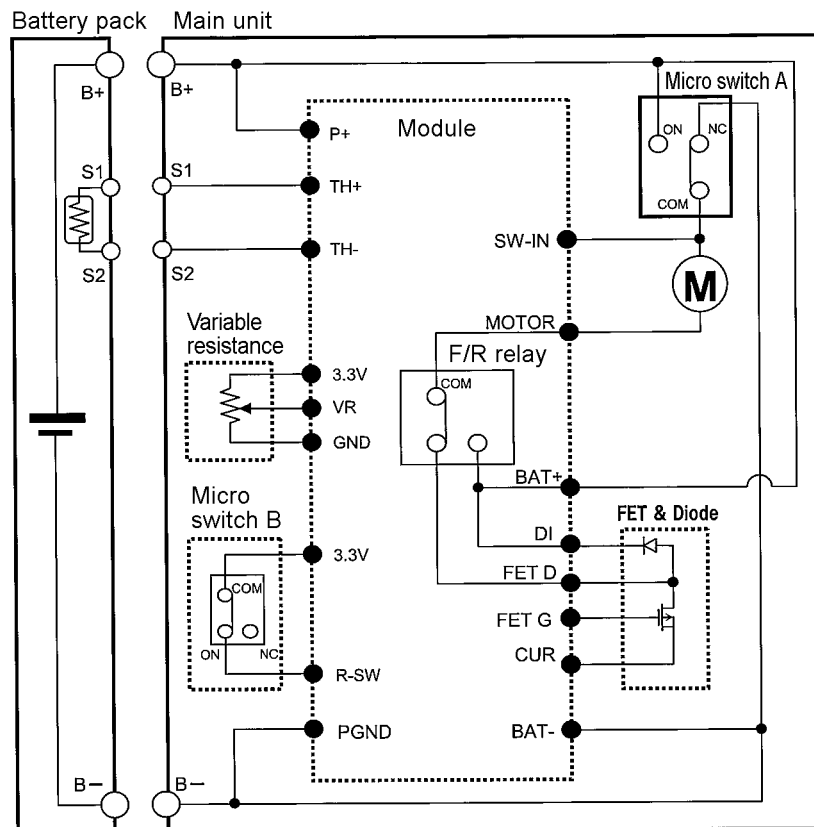
### 5.13. Caution for assembly



## 6 Wiring Connection Diagram

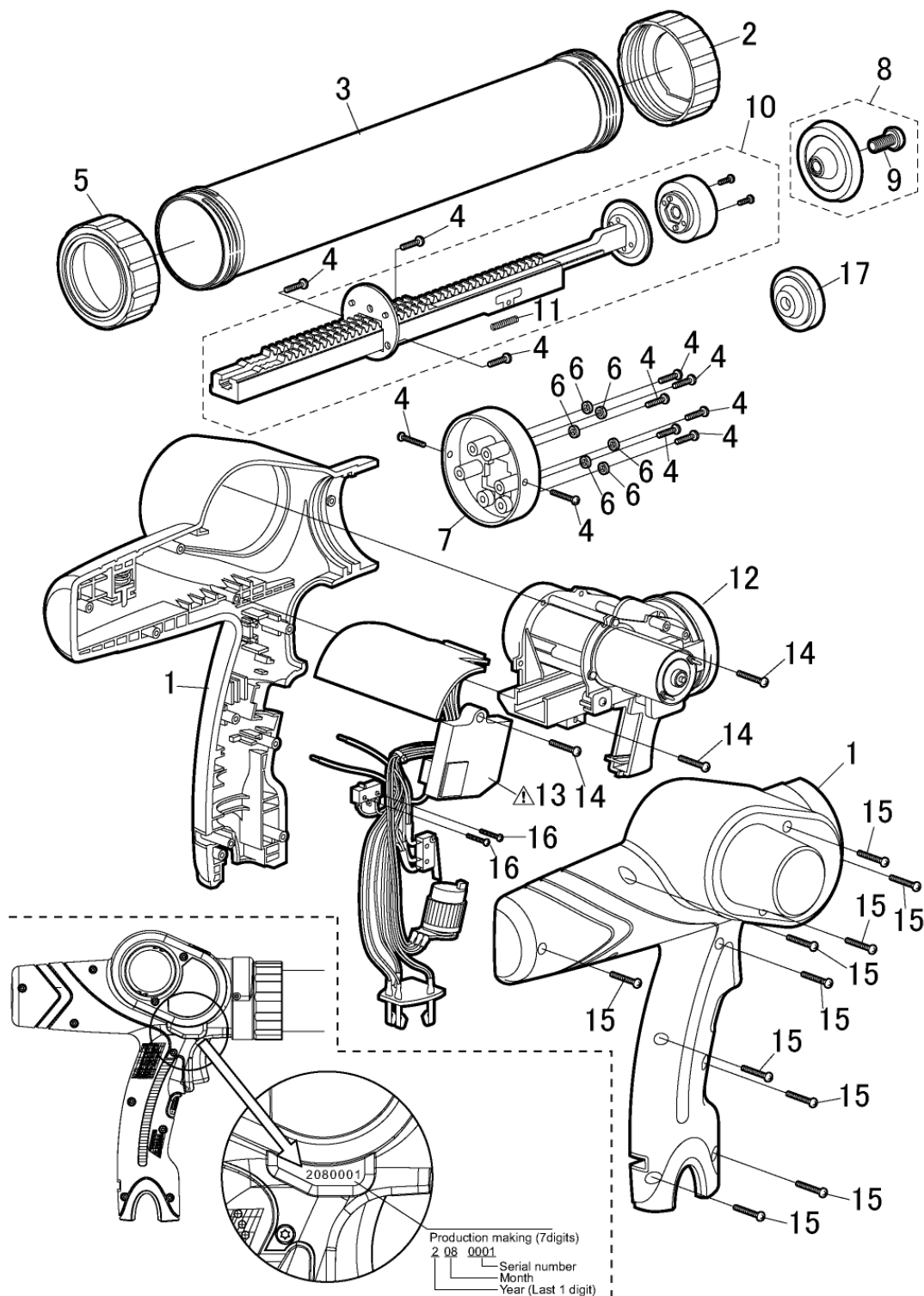


## 7 Schematic Diagram




# 8 Exploded View and Replacement Parts List

Model No. : EY3610 Exploded View



\* Battery Pack is available as an optional accessory. See the nearest sales dealer for details.  
 \* For replacement parts of charger, see the charger service manual.  
 Charger complete set is available as an optional accessory. See the nearest sales dealer for details.

## Model No. : EY3610 Parts List

Safety	Ref. No.	Part No.	Part Name & Description	Q'ty	Remarks
	1	WEY3610K3078	HOUSING AB SET	1	
	2	WEY3610K3657	CARTRIDGE CAP	1	
	3	WEY3610S3717	CARTRIDGE HOLDER	1	
	4	WEY3610K6118	TAPPING SCREW	11	TP4X14L
	5	WEY3610K0527	HOUSING CAP	1	
	6	WEY2610L0207	WASHER	6	
	7	WEY3610L0277	CONNECTOR CAP	1	
	8	WEY3641K0488	ATTACHMENT FOR SAUSAGE	1	
	9	WEY3610L6767	PLUS SHAVEN HEND SCREW	1	M8X20 (5PCS/PK)
	10	WEY3610L4897	RACK GUDE BLOOK	1	
	11	WEY3610L0197	ROOKER ARM SPPRNG	1	
	12	WEY3610L4037	DRIVING BLOOK	1	
	13	WEY3610K2007	SWITCH BLOOK	1	
	14	WEY3610L9357	TAPPING SCREW	3	TP3X12 (5PCS/PK)
	15	WEY3610K6308	TAPPING SCREW	10	TP3X14L (5PCS/PK)
	16	WEY3610L9257	TAPPING SCREW	2	TP2X10L (5PCS/PK)
	17	WEY3610L3717	ATTACHMENT FOR CARTRIDGES	1	
	-	WEY001T8907	GREASE (ALBANIA)	1	
	-	WEY3610K8008	INDIVIDUAL BOX	1	
	-	WEY3610K8108	OPERATING INSTRUCTIONS	1	