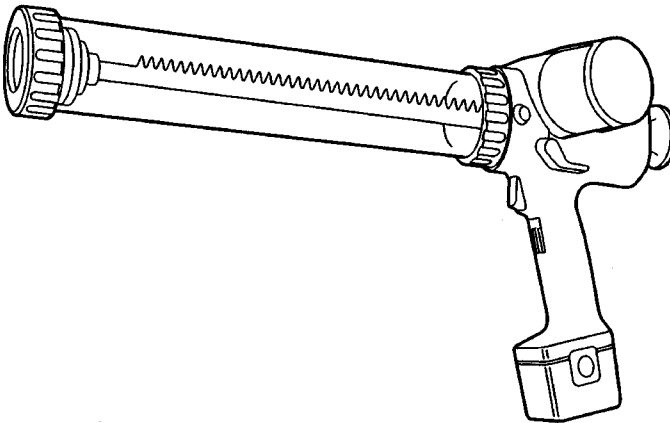


# Service Manual

Variable Speed Cordless Sealing Gun

**EY3654**



Please use this manual with the service manual for Model No.EY3653, Order No.MEW/PTD 9702-36532.

## SPECIFICATIONS

Motor voltage	: DC Motor 7.2V
Ejection pressure	: 2,500N ( 250kgf )
Length overall	: max. 892mm ( 35" ), min. 550mm ( 22" )
Weight (with battery pack)	: 2.1kg ( 4.6 lbs )

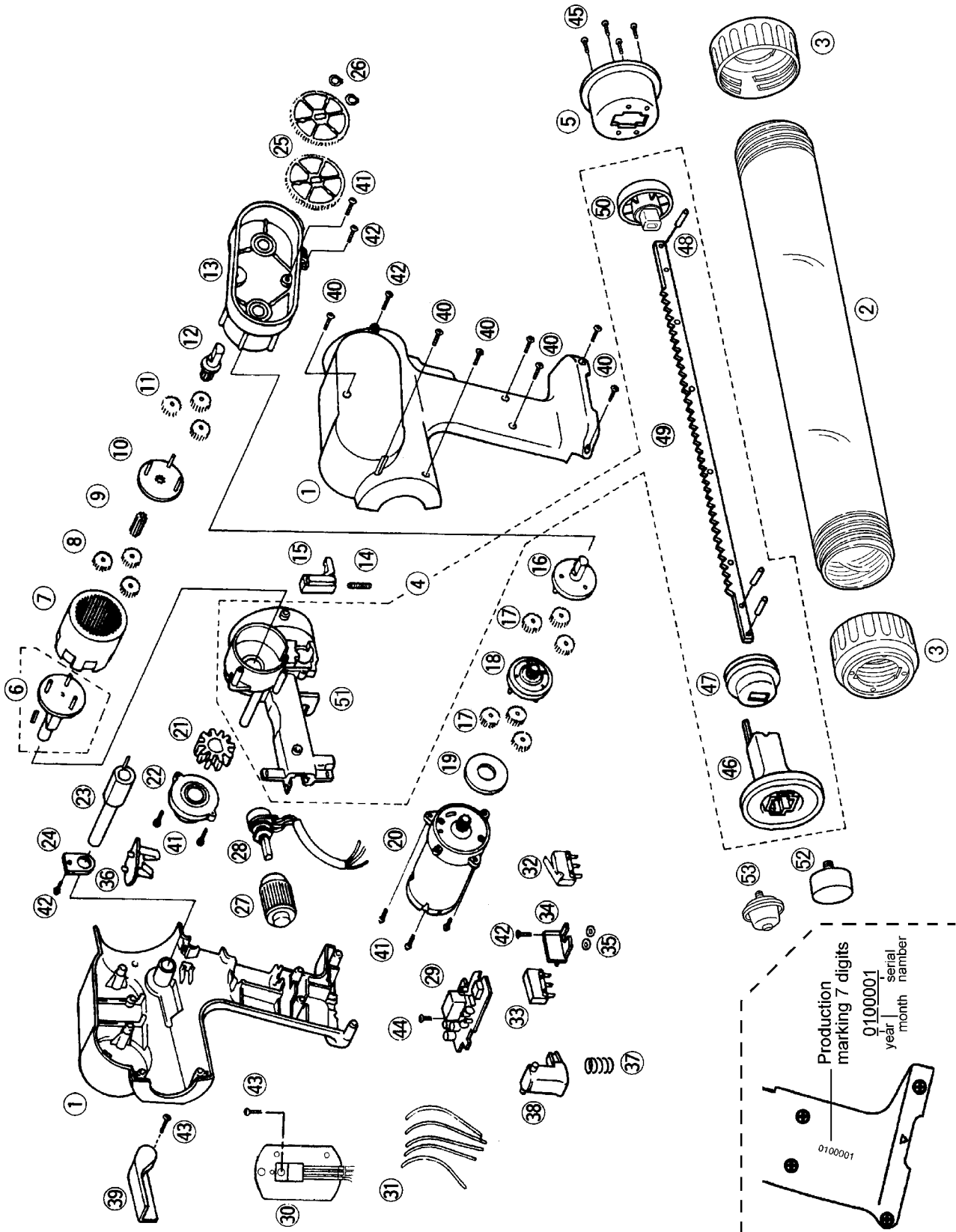
### **WARNING**

This service information is designed for experienced repair technicians only and is not designed for use by the general public. It does not contain warnings or cautions to advise non-technical individuals of potential dangers in attempting to service a product. Products powered by electricity should be serviced or repaired only by experienced professional technicians. Any attempt to service or repair the product or products dealt with in this service information by anyone else could result in serious injury or death.

## CONTENTS

	Page	Page
1 EXPLODED VIEW .....	2	2 REPLACEMENT PARTS LIST .....
		3

# 1 EXPLODED VIEW



## 2 REPLACEMENT PARTS LIST

### NOTE :

\*A = available as an optional accessory

\*B = only available as set

\*C = available individually

Ref. No.	Part No.	Part Name & Description	Remarks	Per Unit
1	WEY3654K3079	HOUSING AB SET		1
2	WEY3654X3718	TUBE HOLDER		1
3	WEY3654H3228	HOLDER CAP	*C	2
4	WEY3654K1068	RACK BLOCK		1
5	WEY3653S3538	CONNECTOR CAP		1
6	WEY3653L1128	DRIVING SHAFT		1
7	WEY3650B1427	INTERNAL GEAR		1
8	WEY3653L1358	PLANET GEAR	*B (3PCS/PACK)	3
9	WEY3653L1368	GEAR		1
10	WEY3653L1108	CARRIER		1
11	WEY580S1457	COUNTER-GEAR	*B (3PCS/PACK)	3
12	WEY580S1527	DRIVING SHAFT B		1
13	WEY3650B1207	DRIVING HOLDER		1
14	WEY3650B0917	COIL SPRING A		1
15	WEY3650B1967	CLUTCH KEY		1
16	WEY580S0537	DRIVING SHAFT C		1
17	WEY3650B1457	COUNTER-GEAR A	*B (3PCS/PACK)	6
18	WEY580S1397	TRANSFER-GEAR B		1
19	WEY580S0847	THRUST PLATE		1
20	WEY3653L1008	MOTOR		1
21	WEY3653L1448	PINION GEAR		1
22	WEY3650B0587	PINION COVER		1
23	WEY3653H3568	RELEASE BUTTON		1
24	WEY3653L0208	CROSS-ARM BRACE		1
25	WEY580C1277	SPUR GEAR	*C	2
26	WEY580S0417	LOCK RING	*C	2
27	WEY3653H3288	APPLICATION SPEED CONTROL		1
28	WEY3653L2548	VARIABLE RESISTANCE		1
29	WEY3653L2128	MODULE		1
30	WEY3653L2108	FET		1
31	WEY3653L2948	LEAD WIRE SET	*B	6
32	WEY3652L2008	MICRO SWITCH A		1
33	WEY3652L2018	MICRO SWITCH B		1
34	WEY3650B0577	SWITCH FRAME		1
35	WEY3653L6438	WASHER	*C Ø3.0	2
36	WEY3790L2157	TERMINAL PLATE		1
37	WEY30070927	LOCK SPRING		1
38	WEY3653Y3208	SWITCH HANDLE		1
39	WEY3653H3238	RACK RELEASE LEVER		1
40	WEY508B9617	TAPPING SCREW (K3-20)	*C	7
41	WEY563B9217	TAPPING SCREW (K3-16)	*C	6
42	WEY3652K9378	TAPPING SCREW (K3.5-8)	*C	5
43	WEY561S9037	TAPPING SCREW (K3-12)	*C	2
44	WEY3654K9478	TAPPING SCREW (K3-6)		1
45	WEY3653L6248	TAPPING SCREW (K4-12)	*C	4
46	WEY3653H3538	RACK KNOB		1
47	WEY3653K3188	PROTECTIVE COVER		1
48	WEY3653K0598	SPRING PIN	*B (3PCS/PACK)	3
49	WEY3653S1348	RACK		1
50	WEY3654K0488	PISTON JOINT		1
51	WEY3653K1208	DRIVING HOLDER		1
52	WEY3654K7208	CARTRIDGE ADAPTOR		1
53	WEY3654K0498	SAUSAGE PACK ADAPTOR		1
-	WEY3654K8008	INDIVIDUAL BOX		1
-	WEY3654K8109	OPERATING INSTRUCTIONS		1

\*\* Battery Pack is available as an optional accessory. See the nearest sales dealer for details.

\*\*\* For replacement parts of charger, see the charger service manual.

Charger complete set is available as an optional accessory. See the nearest sales dealer for details.