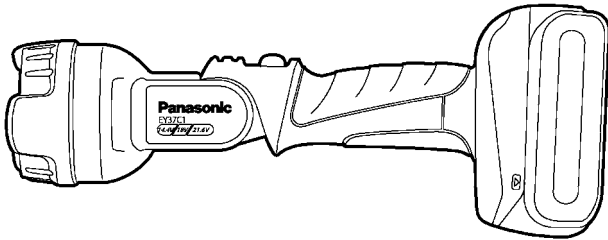


# Service Manual

## Flashlight

Model No. **EY37C1**

Europe  
Oceania



### **⚠ WARNING**

This service information is designed for experienced repair technicians only and is not designed for use by the general public. It does not contain warnings or cautions to advise non-technical individuals of potential dangers in attempting to service a product. Products powered by electricity should be serviced or repaired only by experienced professional technicians. Any attempt to service or repair the product or products dealt with in this service information by anyone else could result in serious injury or death.

### **IMPORTANT SAFETY NOTICE**

There are special components used in this equipment which are important for safety. These parts are marked by **⚠** in the Schematic Diagrams, Circuit Board Diagrams, Exploded Views and Replacement Parts List. It is essential that these critical parts should be replaced with manufacturer's specified parts to prevent shock, fire or other hazards. Do not modify the original design without permission of manufacturer.

## TABLE OF CONTENTS

	PAGE	PAGE
1 Warning-----	2	
2 Specifications -----	2	
3 Troubleshooting Guide-----	3	
4 Disassembly and Assembly Instructions -----	5	
5 Schematic Diagram-----	6	
6 Exploded View and Replacement Parts List -----	7	

# 1 Warning

## Caution:

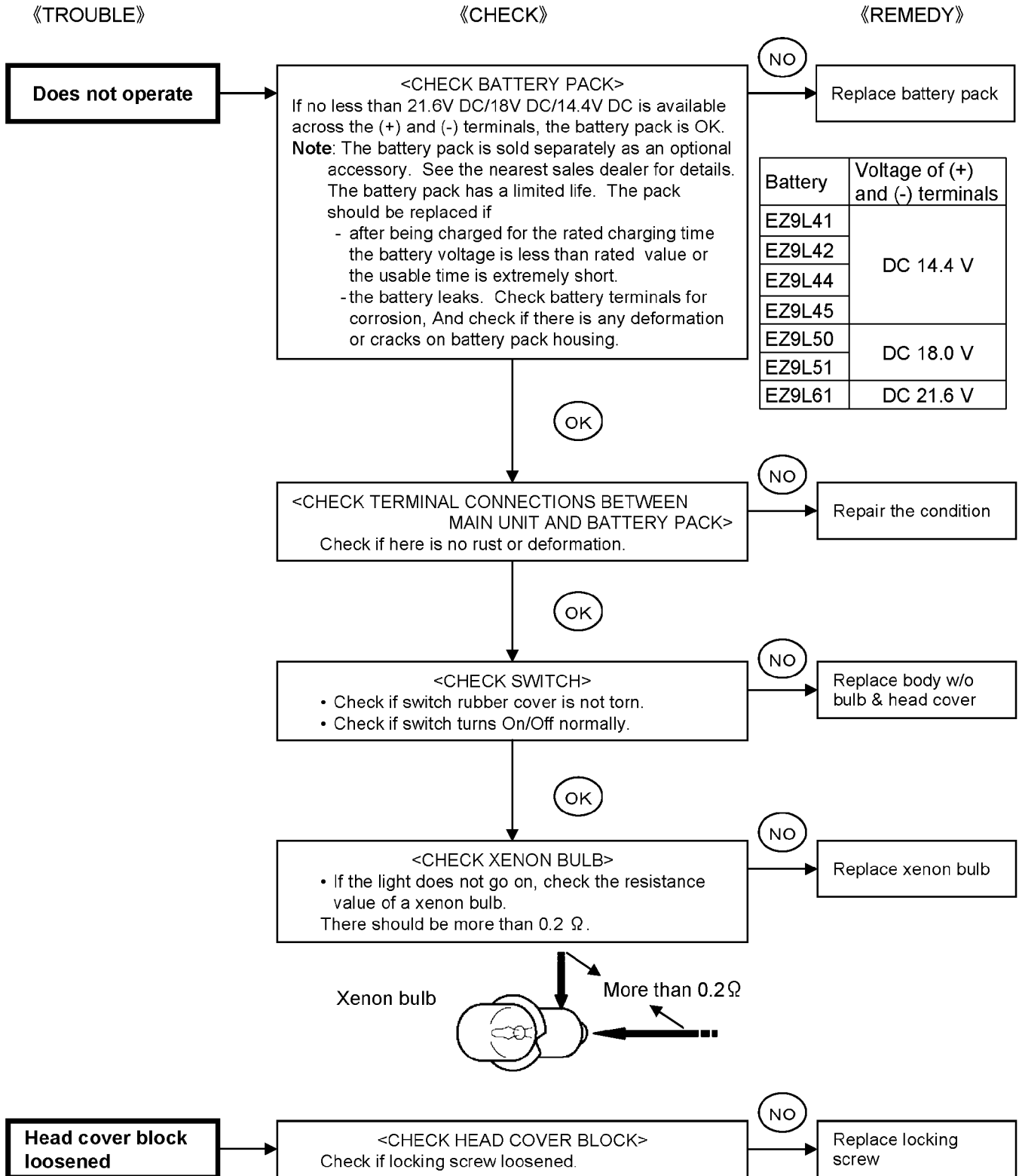
- Pb free solder has a higher melting point than standard solder; Typically the melting point is 50 - 70°F (30 - 40°C) higher. Please use a soldering iron with temperature control and adjust it to 750 ± 20°F (400 ± 10°C). In case of using high temperature soldering iron, please be careful not to heat too long.
- Pb free solder will tend to splash when heated too high (about 1100°F / 600°C).

# 2 Specifications

Model No.	EY37C1						
Bulb type	12 V Xenon 0.7A						
Size	270 x 124 x 90 mm (11 x 4-7/8" x 3-9/16")						
Weight	340 g (0.75 lbs)						
Battery packs	Li-ion battery pack						
	EY9L41	EY9L42	EY9L44	EY9L45	EY9L50	EY9L51	EY9L61
Battery voltage	14.4 V DC			18 V DC		21.6 V DC	
	(3.6 V x 4 cells)		(3.6 V x 8 cells)		(3.6 V x 10 cells)		(3.6 V x 6cells)

# 3 Troubleshooting Guide

## 3.1. Troubleshooting Guide



### 3.2. Trial Operation (After Checking Troubleshooting Guide)

Checking order	Check item
1	Xenon bulb is attached properly.
2	The light turns On/Off normally.
3	Head cover block moves properly.
4	Locking screw does not loosen.
5	Low voltage indicator lamp (LED) blinks normally.

# 4 Disassembly and Assembly Instructions

## 4.1. Replace of a xenon bulb of chargeable light for construction

\* Xenon bulb of chargeable light for construction is abbreviated to xenon bulb below.

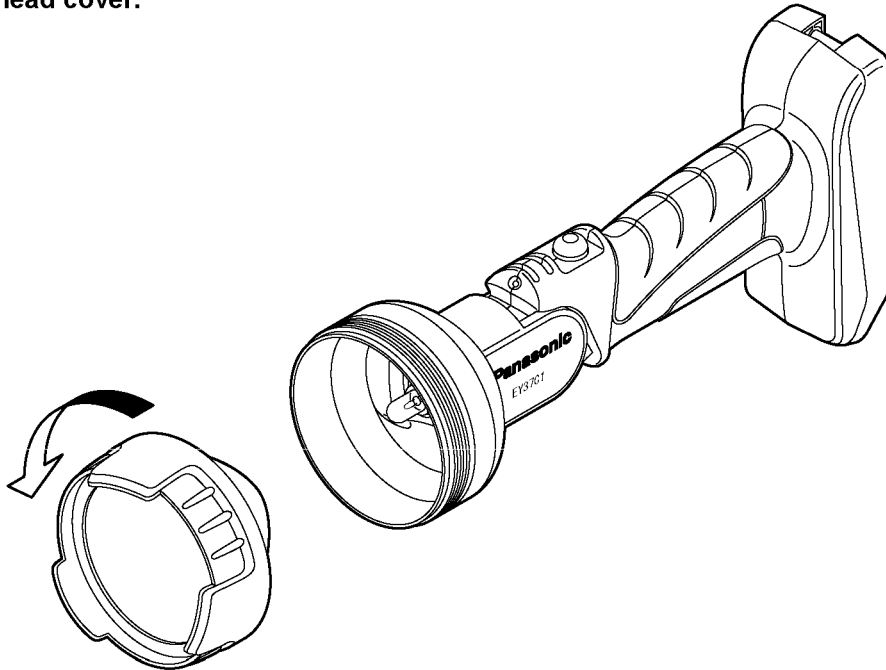
Removing a xenon bulb by force might cause break of a socket.

Please follow things below for replace of a xenon bulb.

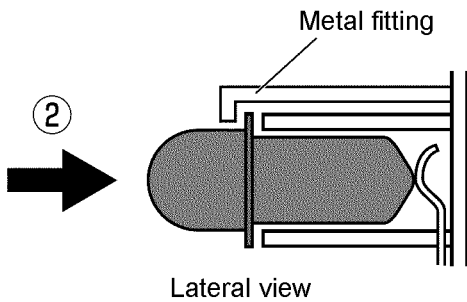
- Be sure to remove a battery pack before replace.
- Be sure to use a genuine xenon bulb.
- Attach a xenon bulb and a head cover firmly.

### ◆How to remove a xenon bulb

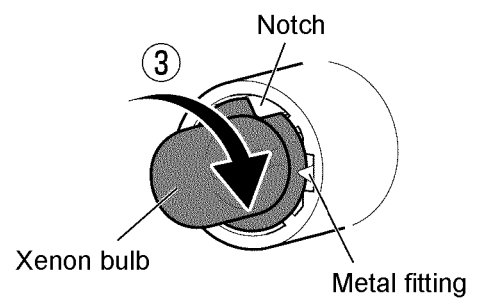
1. Remove a head cover.



2. Push a xenon bulb lightly to separate a xenon bulb from a metal fitting.



3. Rotate a xenon bulb pushing it and adjust notch to a metal fitting.

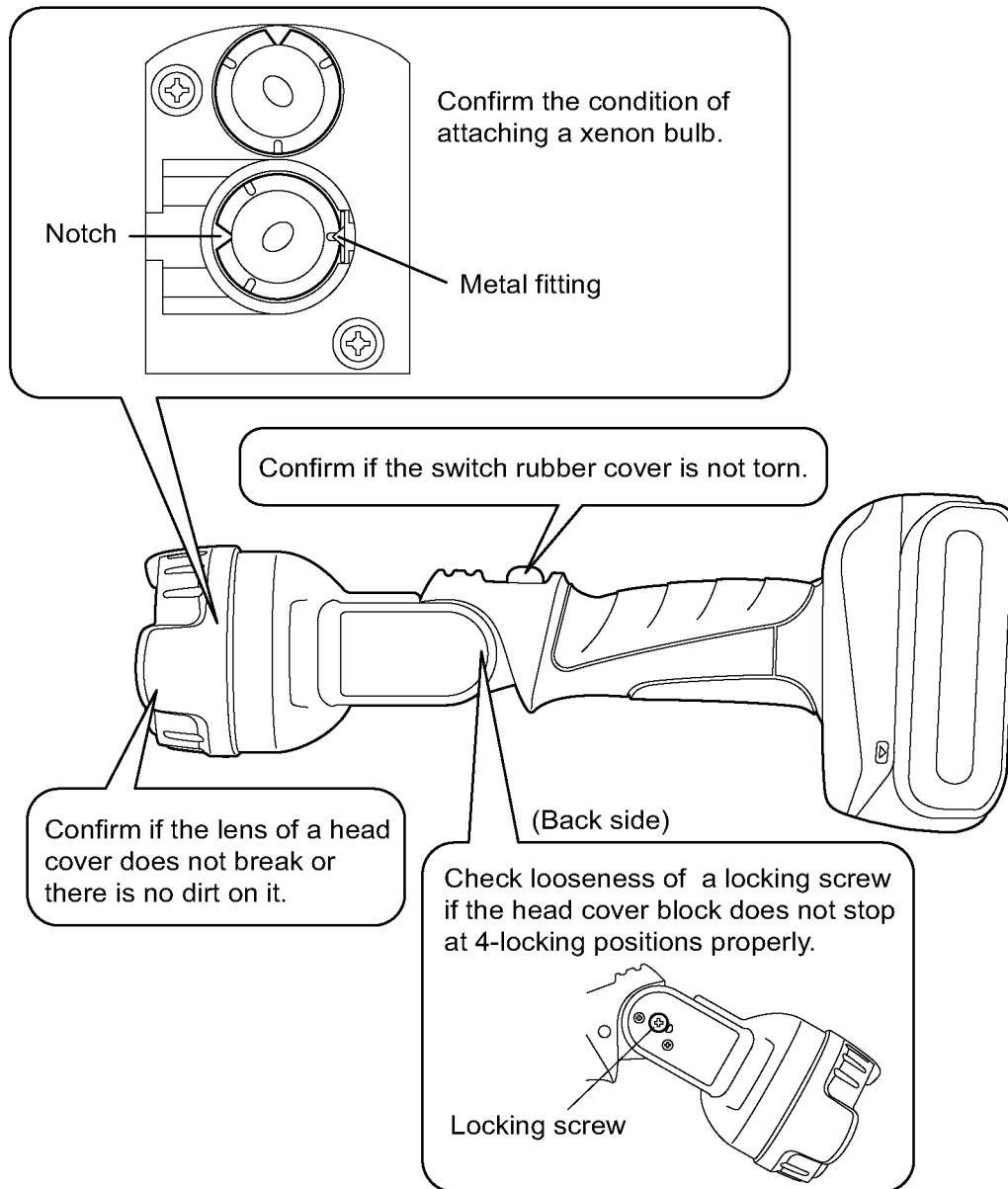


4. Stop pushing the xenon bulb and remove it.

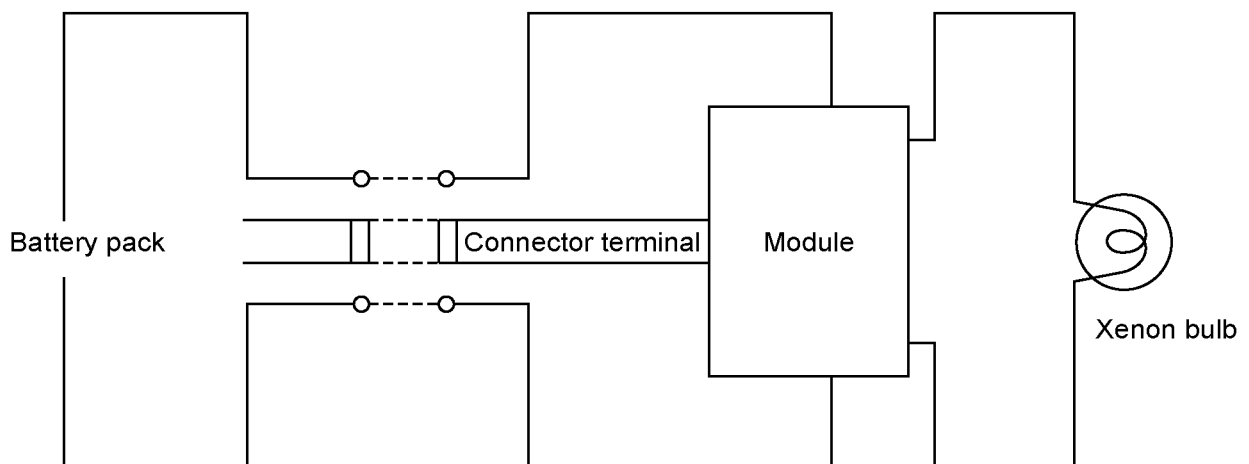
■ Attach a xenon bulb by reverse procedure to removing it.

Warning	Do not touch a xenon bulb or a head cover during or after use. - Otherwise, it might cause burn.
Caution	Throw a xenon bulb away without breaking it. - Otherwise, it might cause injury.

## 4.2. Caution for assembly

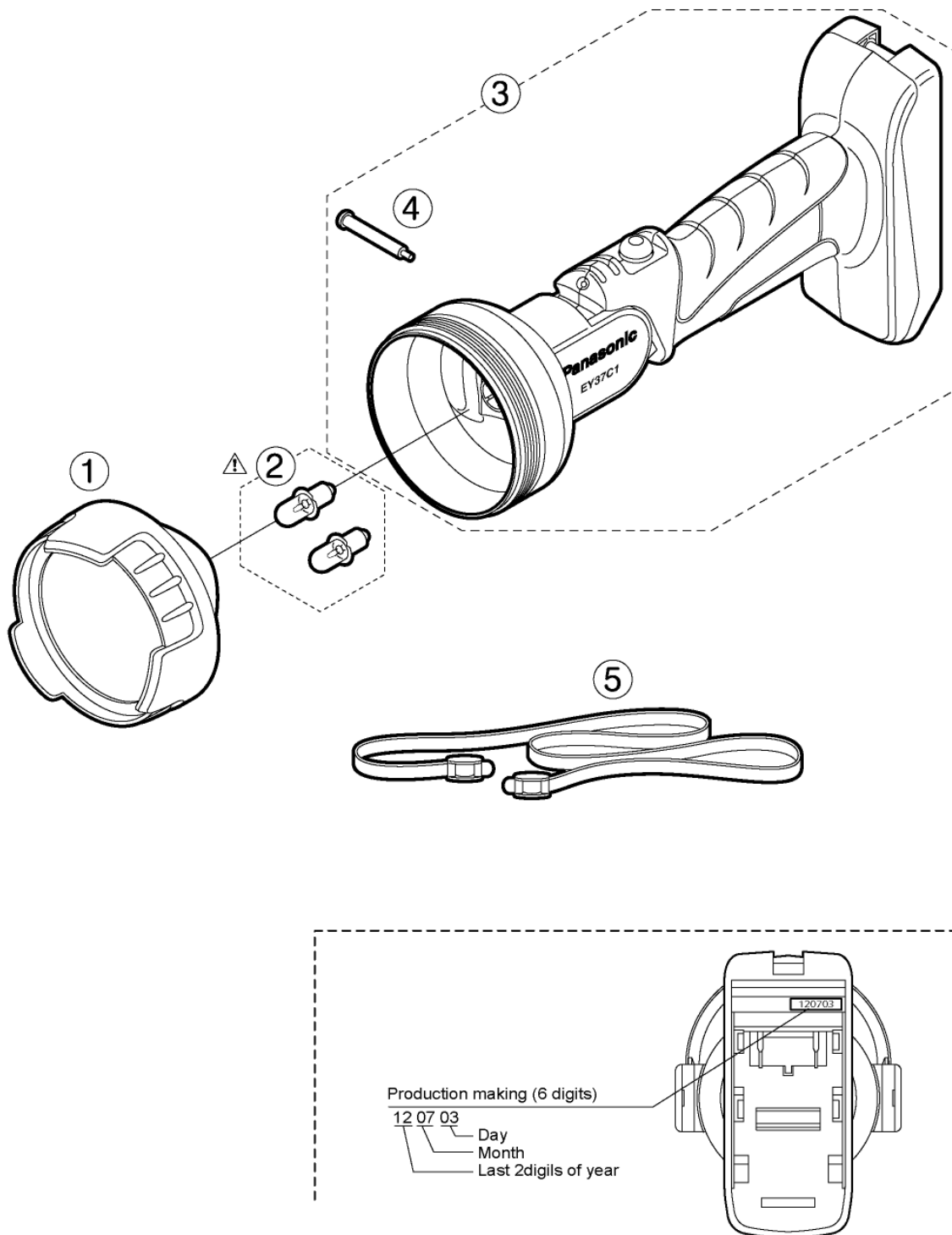


## 5 Schematic Diagram



# 6 Exploded View and Replacement Parts List

Model No. : EY37C1 Exploded View




\* Battery Pack is available as an optional accessory. See the nearest sales dealer for details.

\* For replacement parts of charger, see the charger service manual.

Charger complete set is available as an optional accessory. See the nearest sales dealer for details.

**Model No. : EY37C1 Parts List**

Safety	Ref. No.	Part No.	Part Name & Description	Q'ty	Remarks
	1	WEY37C1L4018	HEAD COVER	1	
	2	WEY37C1X7778	XENON BULB	2	(12V, 0.7A) (2PCS/PR)
	3	WEY37C1L4008	BODY W/O BULB & HEAD COVER	1	
	4	WEY3740L0338	LOCKING SCREW	1	
	5	WEY3794K0227	SHOULDER STRAP	1	
	-	WEY37C1L8108	OPERATING INSTRUCTIONS	1	