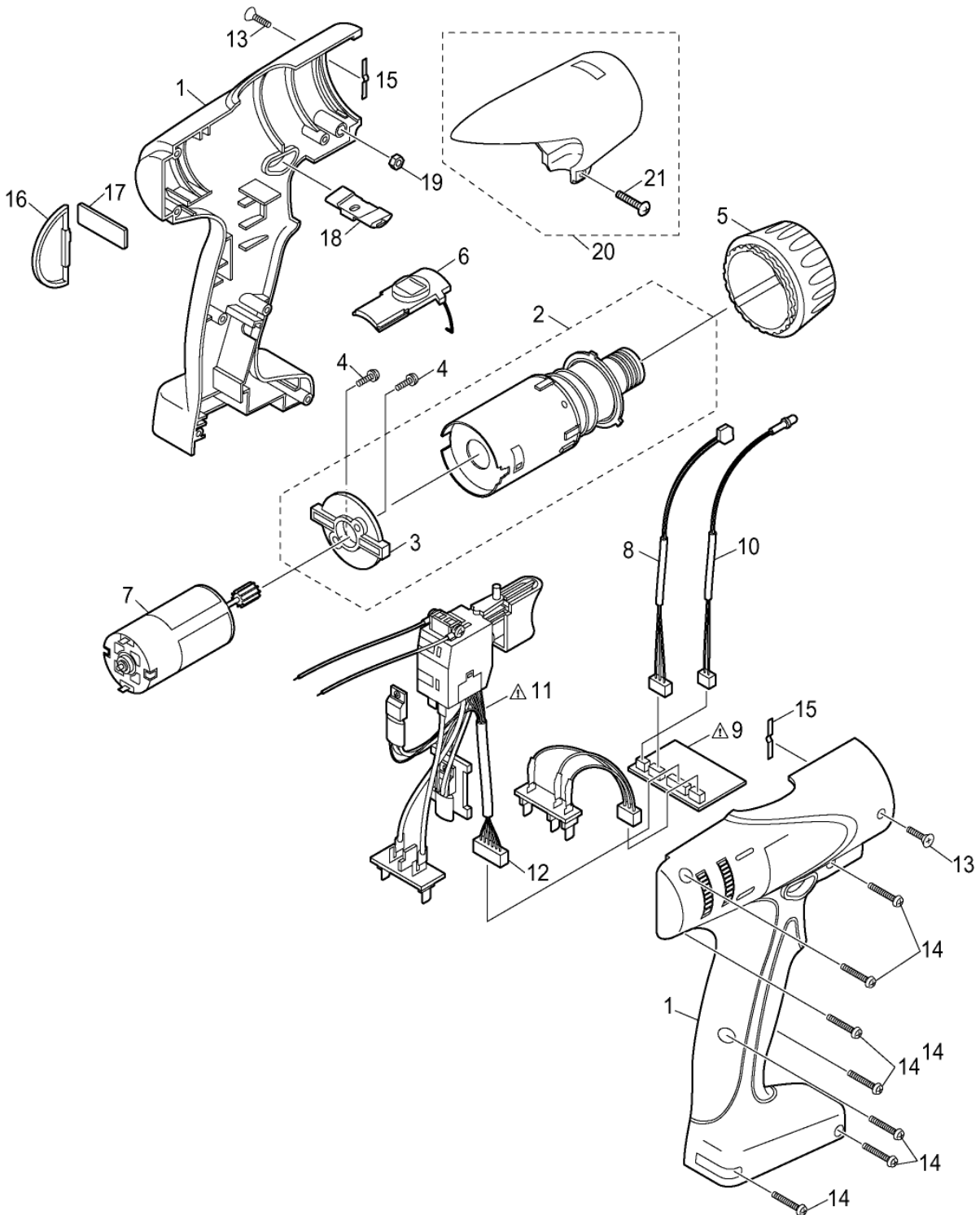


7 Exploded View and Replacement Parts List

Model No. : EYFEA1N Exploded View



** Battery Pack is available as an optional accessory. See the nearest sales dealer for details.
*** For replacement parts of charger, see the charger service manual.
Charger complete set is available as an optional accessory. See the nearest sales dealer for details.

Model No. : EYFEA1N Parts List

| Safety | Ref. No. | Part No. | Part Name & Description | Q'ty | Remarks |
|--------|----------|--------------|-------------------------|------|---------|
| | 1 | WEYFEA1N3079 | HOUSING AB SET | 1 | |
| | 2 | WEY7420L1087 | GEAR BOX BLOCK | 1 | |
| | 3 | WEY7420L3747 | MOTOR MOUNTING PLATE | 1 | |
| | 4 | WEY6225L6026 | SEMS SCREW | 2 | (M3*5) |
| | 5 | WEY7420L0637 | CLUTCH HANDLE | 1 | |
| | 6 | WEY7410H3237 | H/L CHANGE HANDLE | 1 | |
| | 7 | WEY7420L1007 | DC MOTOR | 1 | |
| | 8 | WEY7420L2127 | TORQUE DETECTION PCB | 1 | |
| | 9 | WEYFEA1N2117 | MAIN PCB ASSEMBLY | 1 | |
| | 10 | WEY7420L2337 | LED ASSEMBLY | 1 | |
| | 11 | WEY7420K2008 | SWITCH ASSEMBLY | 1 | |
| | 12 | WEY7420L4127 | TERMINAL BASE ASSEMBLY | 1 | |
| | 13 | WEY6605L9626 | TAPPING SCREW | 2 | (2.6*8) |
| | 14 | WEY6402K9217 | TAPPING SCREW | 7 | (K3*16) |
| | 15 | WEY6225L0176 | CLICK SPRING | 2 | |
| | 16 | WEY7420L0057 | HOOK RING | 1 | |
| | 17 | WEY7420L0167 | RING PLATE | 1 | |
| | 18 | WEY7542H3247 | F/R SELECTOR HANDLE | 1 | |
| | 19 | WEY7420L6417 | NUT | 1 | (M3) |
| | 20 | WEYFEA1N3137 | CLUTCH LOCK COVER | 1 | |
| | 21 | WEYFEA1N6027 | SCREW | 1 | (T3*15) |
| | - | WEY9L20R2787 | BATTERY PACK COVER | 1 | |
| | - | WEYFEA1N8109 | OPERATING INSTRUCTIONS | 1 | |
| | - | WEY6705X5527 | SUNLIGHT GREASE | 1 | |
| | - | WEWGW2 | FLOIL GREASE | 1 | |