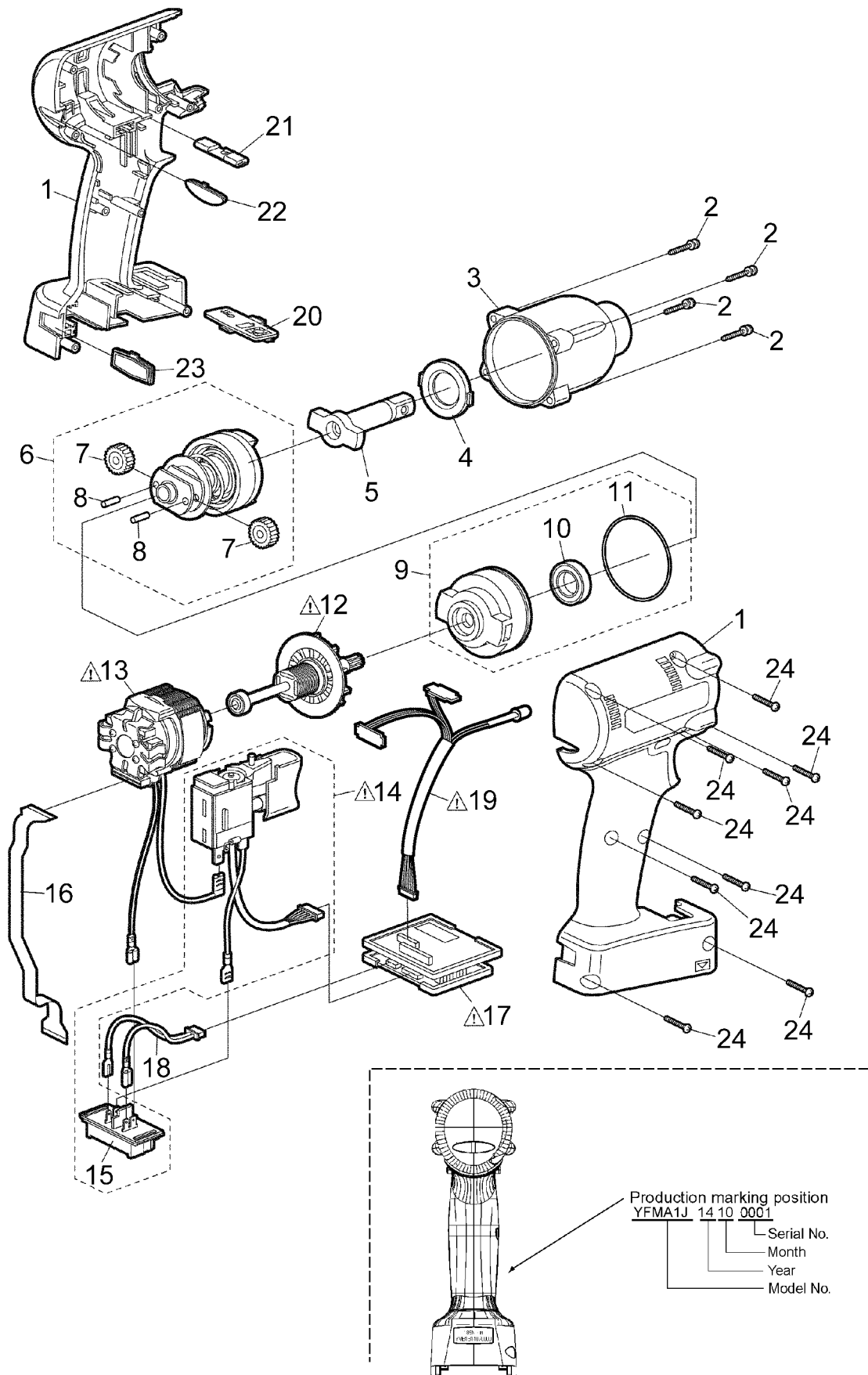


9.3. Exploded View for EYFMA1J



9.4. Replacement Parts List for EYFMA1J

| Safety | Ref. No. | Part No. | Part Name & Description | Quantity | Remarks |
|--------|----------|--------------|------------------------------------|----------|------------|
| | 1 | WEYFMA1JK309 | HOUSING AB SET | 1 | |
| | 2 | WEYFMA1JL968 | TIGHT SCREW W/WASHER | 4 | (M4*25) |
| | 3 | WEYFMA1JS317 | FIXATION COVER | 1 | |
| | 4 | WEY6631K0867 | SLIDER | 1 | |
| | 5 | WEYFMA1JL117 | ANVIL | 1 | |
| | 6 | WEYFMA1JL107 | DRIVING SHAFT ASSEMBLY | 1 | |
| | 7 | WEY6504L1357 | PLANET GEAR | 2 | (2PCS/PK) |
| | 8 | WEY6506L1346 | PIN | 2 | (2PCS/PK) |
| | 9 | WEYFLA1AL007 | MOTOR MOUNTING PLATE ASSEMBLY | 1 | |
| | 10 | WEYFLA1AL497 | BEARING | 1 | |
| | 11 | WEYT611L0967 | O-RING | 1 | (43.6*1.3) |
| | 12 | WEYFLA1AL147 | MOTOR ROTOR ASSEMBLY | 1 | |
| | 13 | WEYFMA1JL028 | STATOR | 1 | |
| | 14 | WEYFLA1AK207 | SWITCH ASSEMBLY | 1 | |
| | 15 | WEY7540L2157 | BATTERY TERMINAL BLOCK | 1 | |
| | 16 | WEYFLA1AL207 | RIBBON CABLE | 1 | |
| | 17 | WEYFMA1JL218 | MODULE ASSEMBLY | 1 | |
| | 18 | WEYFLA1AL297 | HARNESS | 1 | |
| | 19 | WEYFLA3JL227 | LED ASSEMBLY | 1 | |
| | 20 | WEYFLA1AK337 | OPERATION PANEL | 1 | |
| | 21 | WEYFLA1AK327 | F/R SELECTOR HANDLE | 1 | |
| | 22 | WEYFLA1AL377 | TIGHTENING CONFIRMATION LAMP COVER | 1 | |
| | 23 | WEYFMA1JL337 | DISCERNMENT PLATE | 1 | |
| | 24 | WEY6930K9037 | TIGHT SCREW | 9 | (K3*20) |
| | - | WEYFLA4AR819 | OPERATING INSTRUCTIONS | 1 | |
| | - | WEY002X8977 | DOUBREX GREASE | 1 | |
| | - | WEWGW2 | FLOIL GREASE | 1 | |