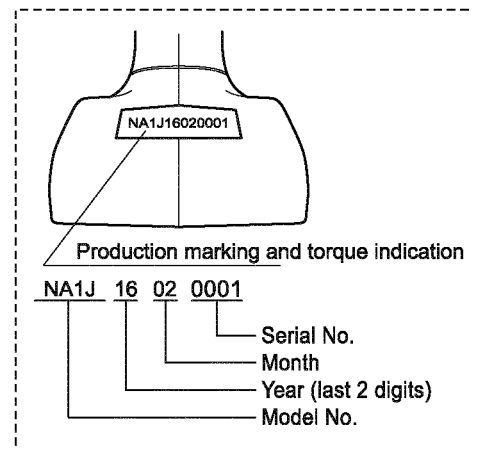
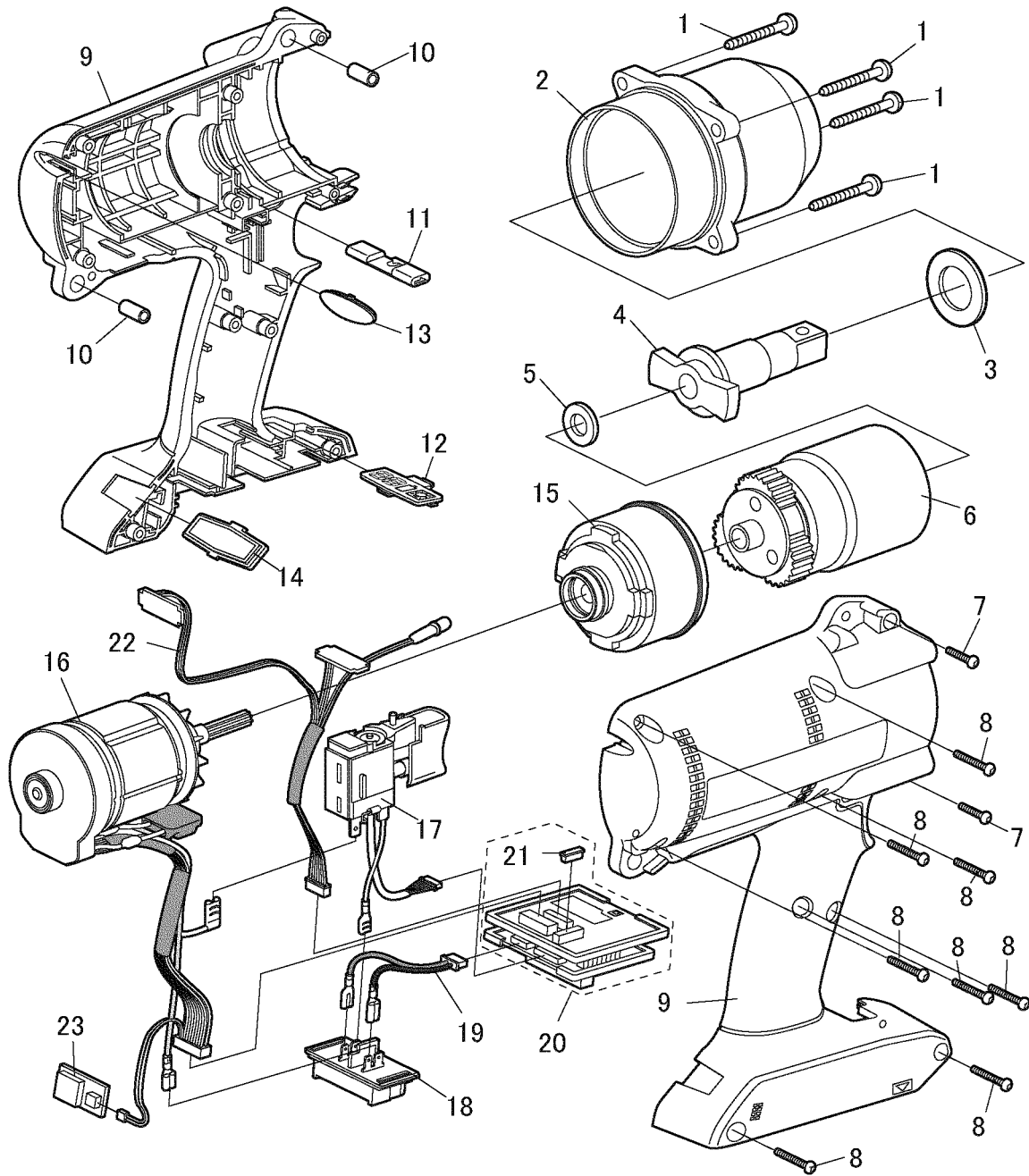


8.3. Exploded View for EYFNA1J



8.4. Replacement Parts List for EYFNA1J

Safety	Ref. No.	Part No.	Part Name & Description	Quantity	Remarks
	1	WEYFPA1CK987	TIGHT SCREW	4	(5*35, 4pcs/PK)
	2	WEYFNA1CS347	SHAFT COVER ASSEMBLY	1	
	3	WEY7552K0857	THRUST PLATE	1	
	4	WEYFNA1JS127	ANVIL	1	
	5	WEYFNA1CS047	THRUST PLATE	1	
	6	WEYFNA1CK457	DRIVING SHAFT ASSEMBLY	1	
	7	WEY7440K9038	TAPPING SCREW	2	(K3*20)
	8	WEYFPA1CK927	TIGHT SCREW	8	(K4*20, 8pcs/PK)
	9	WEYFNA1JK309	HOUSING AB SET	1	
	10	WEYFPA1CS067	METAL TUBE	2	(4.0 DIA, 2pcs/PK)
	11	WEYFLA1AK327	F/R SELECTOR HANDLE	1	
	12	WEYFLA1AK337	OPERATION PANEL	1	
	13	WEYFPA1JL377	TIGHTENING CONFIRMATION LAMP COVER	1	
	14	WEYFLC1AD337	DISCERNMENT PLATE	1	
	15	WEYFPA1CL177	RING GEAR ASSEMBLY	1	
	16	WEYFNA1CL107	MOTOR ASSEMBLY	1	
	17	WEYFGA1NK207	SWITCH	1	
	18	WEY7880L2157	BATTERY TERMINAL BASE	1	
	19	WEYFLA1AL297	HARNESS	1	
	20	WEYFPA1CL218	MODULE ASSEMBLY	1	
	21	WEYFGA1NW287	CONNECTOR	1	
	22	WEYFPA1CL288	SENSOR LED CIRCUIT ASSEMBLY	1	
	23	WEYFGA1NL267	BUZZER BOARD	1	
	-	WEYFPA1JR810	OPERATING INSTRUCTIONS	1	
	-	WEWGW2	FLOIL GREASE	1	(AH-137N-2)
	-	WEY004X8967	CALFOREX	1	(MOLY-FM-L)