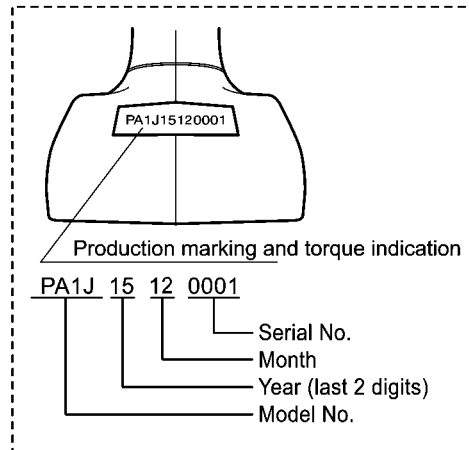
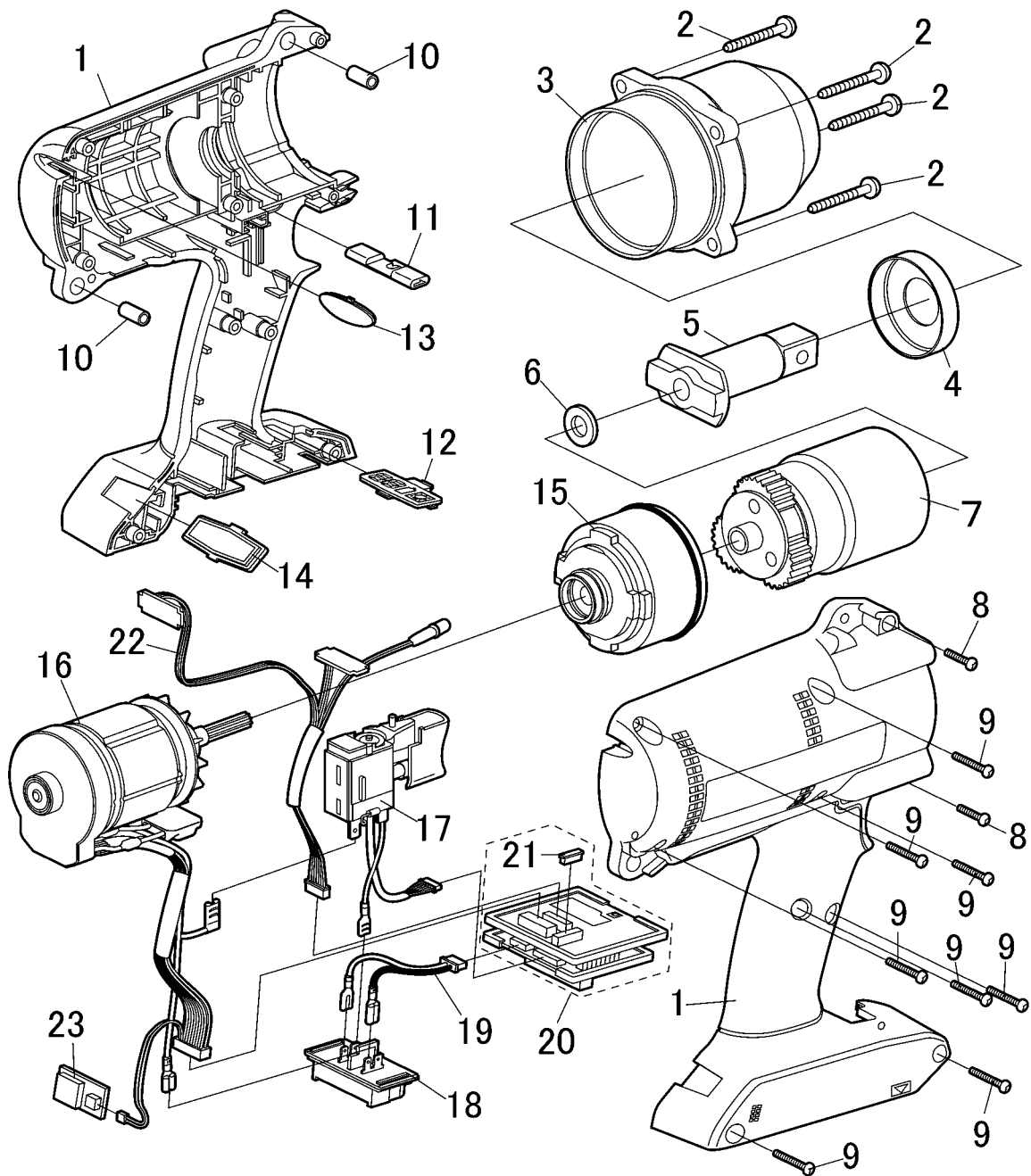


8 Exploded View and Replacement Parts List

8.1. Exploded View for EYFPA1J



8.2. Replacement Parts List for EYFPA1J

| Safety | Ref. No. | Part No. | Part Name & Description | Quantity | Remarks |
|--------|----------|--------------|------------------------------------|----------|------------------|
| | 1 | WEYFPA1JK309 | HOUSING AB SET | 1 | |
| | 2 | WEYFPA1CK987 | TIGHT SCREW | 4 | (5*35, 4pcs/PK) |
| | 3 | WEYFPA1CS347 | SHAFT COVER ASSEMBLY | 1 | |
| | 4 | WEYFPA1CH027 | CAP | 1 | |
| | 5 | WEYFPA1JS127 | ANVIL | 1 | |
| | 6 | WEYFPA1CS047 | THRUST PLATE | 1 | |
| | 7 | WEYFPA1CK457 | DRIVING SHAFT ASSEMBLY | 1 | |
| | 8 | WEY7440K9038 | TAPPING SCREW | 2 | (K3*20) |
| | 9 | WEYFPA1CK927 | TIGHT SCREW | 8 | (K4*20, 8pcs/PK) |
| | 10 | WEYFPA1CS067 | METAL TUBE | 2 | (φ4.0, 2pcs/PK) |
| | 11 | WEYFLA1AK327 | F/R SELECTOR HANDLE | 1 | |
| | 12 | WEYFLA1AK337 | OPERATION PANEL | 1 | |
| | 13 | WEYFPA1JL377 | TIGHTENING CONFIRMATION LAMP COVER | 1 | |
| | 14 | WEYFLA2AL337 | DISCERNMENT PLATE | 1 | |
| | 15 | WEYFPA1CL177 | RING GEAR ASSEMBLY | 1 | |
| | 16 | WEYFPA1CL107 | MOTOR ASSEMBLY | 1 | |
| | 17 | WEYFGA1NK207 | SWITCH | 1 | |
| | 18 | WEY7880L2157 | BATTERY TERMINAL BASE | 1 | |
| | 19 | WEYFLA1AL297 | HARNESS | 1 | |
| | 20 | WEYFPA1CL218 | MODULE ASSEMBLY | 1 | |
| | 21 | WEYFGA1NW287 | CONNECTOR | 1 | |
| | 22 | WEYFPA1CL287 | SENSOR LED CIRCUIT ASSEMBLY | 1 | |
| | 23 | WEYFGA1NL267 | BUZZER BOARD | 1 | |
| | - | WEYFPA1JK810 | OPERATING INSTRUCTIONS | 1 | |
| | - | WEWGW2 | FLOIL GREASE | 1 | (AH-137N-2) |
| | - | WEY004X8967 | CALFOREX | 1 | (MOLY-FM-L) |