

PARTS LIST OF HPN-10/100

ISSUED: February,2007

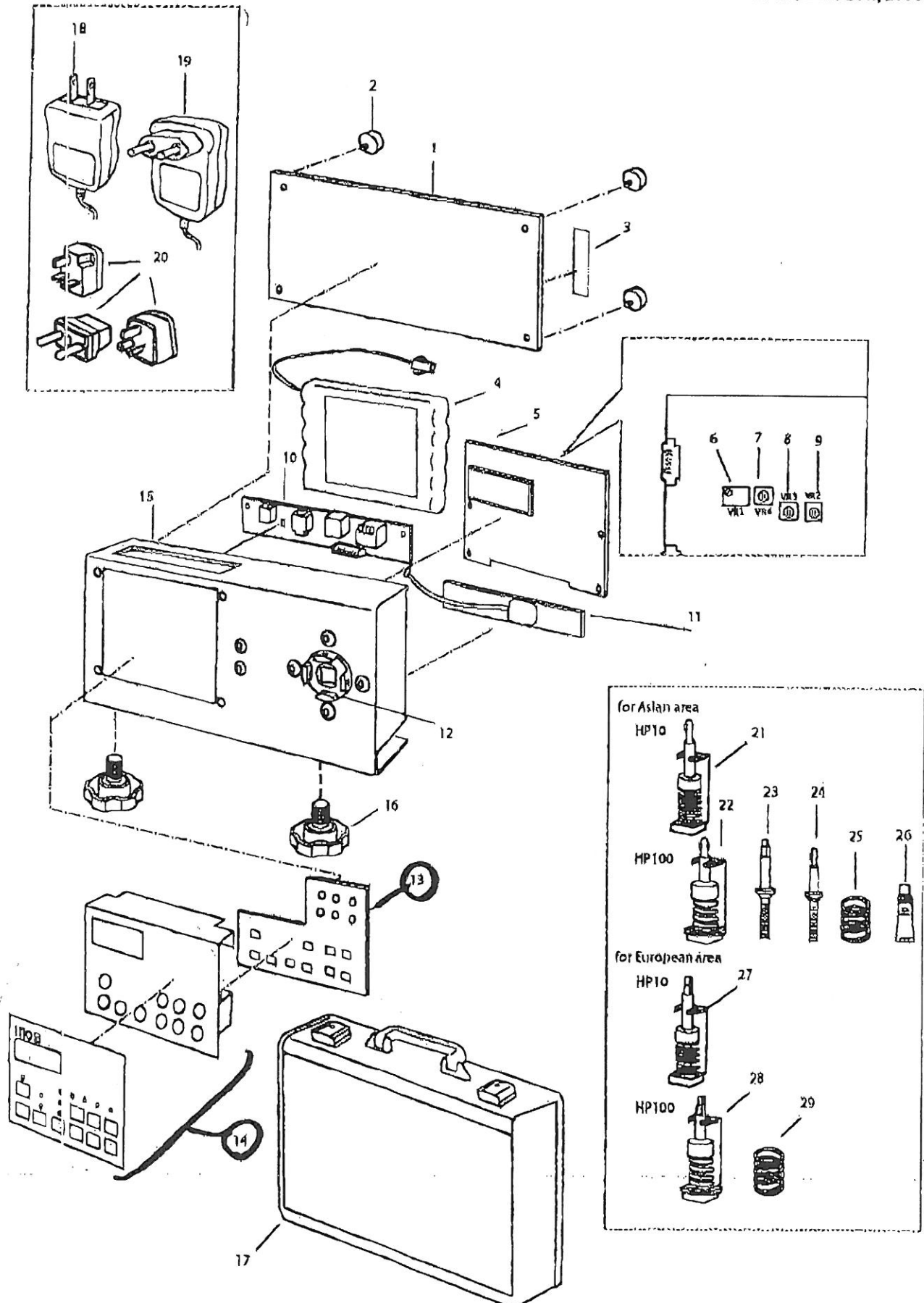
REVISED: April,06th,2010

PARTS NAME	PARTS NO.	PARTS NAME	PARTS NO.
1 Bottom Cover	HPN-0021		
2 Rubber Foot	HP-0150		
3 Serial Number Plate	-----		
4 Battery	TBN-GP100		
5 Main PCB			
for HP-10 NM/KG	HPN-CC-MAIN-K10		
for HP-10 LB/NM	HPN-CC-MAIN-L10		
for HP-10 NM/NC	HPN-CC-MAIN-N10		
for HP-100 NM/KG	HPN-CC-MAIN-K100		
for HP-100 LB/NM	HPN-CC-MAIN-L100		
for HP-100 NM/NC	HPN-CC-MAIN-M100		
#6~9 Included with #5 Main PCB			
6 Volume,VR1	-		
7 Volume,VR4	-		
8 Volume,VR3	-		
9 Volume,VR2	-		
10 Sub PCB	HPN-CC-SUB		
11 Transducer Assy			
for HP-10	SGN-HP-10		
for HP-100	SGN-HP-100		
12 Balancing Socket, Bearing&bearing Case	TCS		
13 Switch PCB	HPN-CC-SW		
14 Panel Assy			
for HP-10 NM/KG	HPN-PN7005		
for HP-10 LB/NM	HPN-PN7006		
for HP-10 NM/NC	HPN-PN7004		
for HP-100 NM/KG	HPN-PN7002		
for HP-100 LB/NM	HPN-PN7003		
for HP-100 NM/NC	HPN-PN7001		
15 Main Box	HPN-0041		
16 Sam Screw	HP-0130		
17 Carrying Case	AC-HPN		
18 AC adpater Multi	TCH-MULTI		
19 AC adpater Multi for EU except UK	TCH-EU		
20 Conversion plug for TCH-MULTI	-----		
		[for Asian area (HIOS Shank)]	
		Accessories for HP-10	
		21 Fidaptor H4	TF4G-Z
		Accessories for HP-100	
		22 Fidaptor H5	TF5G-Z
		23 HEX shaft	TF6XG-0010
		24 H4 shaft	TF5G-0010-4
		25 Spring (Yellow)	CL65-0040
		26 Grease	TF-G3
		[for EU USA area (1/4 HEX Shank)]	
		Accessories for HP-10	
		27 Fidaptor HEX	TF6SG-Z
		Accessories for HP-100	
		28 Fidaptor HEX	TF6XG-Z
		29 Spring (Yellow)	CL65-0040

EXPLODED VIEW DRAWING

HPN-10/100

Issued : December, 2006



(Ver. HPN-1)

HIOS Inc.