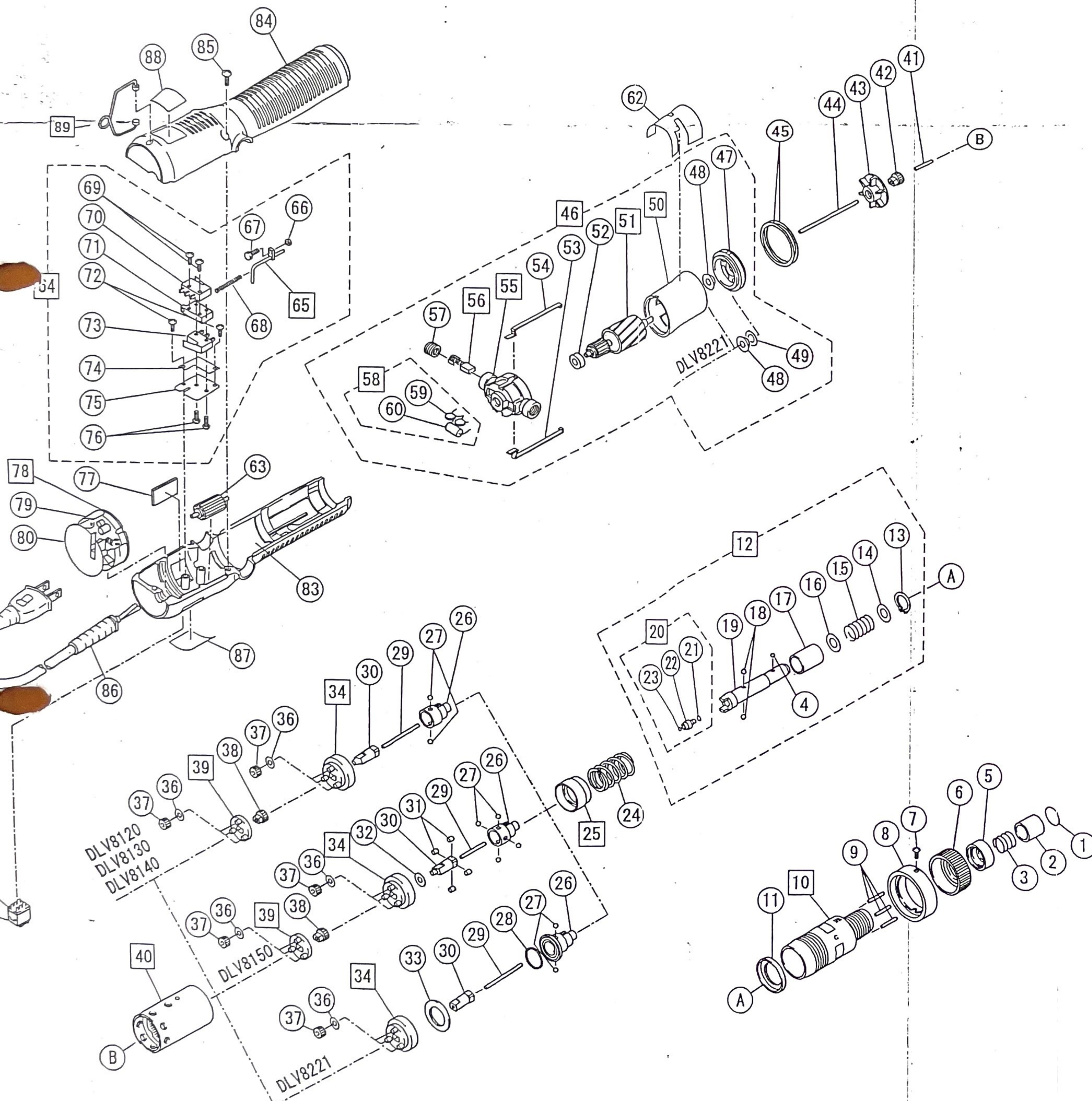


Delvo

DLV8120-JJE/JKE
DLV8130-JJE/JKE
DLV8140-JJE/JKE
DLV8150-JJE/JKE
DLV8221-JJE/JKE

ELECTRIC SCREW-DRIVER



No.	Parts Name	Parts No.	Q'ty	(Parts No.)	No.	Parts Name	Parts No.	Q'ty	(Parts No.)
1	Stop Ring				31	Roller Pin $\phi 4.5 \times 4.5$ (DLV8150)	TV00127	4	5464701K
2	Holder Clamp	TV00149	1	5462316K	32	Shim (DLV8150)	TV00027	1	5464025K
3	Spring	TV00148	1	5462304K	33	Washer (DLV8221)	TV00138	1	5462244K
4	Steel Ball $\phi 3$ (JJE type)	TV00150	1	5462214K	34	Gear Base (A) Assembly (DLV8120/8130/8140/8150)	TD00542	1	5469515A
5	Steel Ball $\phi 2.38$ (JKE type)	TP15767	2	5462780K		Gear Base (A) Assembly (DLV8221)	TD00543	1	5469515A
6	Cover	CP20000	2	5462783K	36	Shim (DLV8120/8130/8140/8150)	TV00147	6	5462733K
7	Spring Adjusting Ring	TV00013	1	5462163K		Shim (DLV8221)	TV00147	3	5462733K
8	Screw	TV00108	1	5462161K	37	Idle Gear (A) (DLV8120/8130)	TV00008	6	5462116K
9	Coupling	TV00208	2	5462711K		Idle Gear (A) (DLV8140)	TV00206	6	5462202K
10	Roller Pin $\phi 2 \times 17.8$	TV00107	1	5462162K		Idle Gear (A) (DLV8150)	TV00007	6	5464002K
11	Nose Nut Assembly (DLV8120/8130/8140/8221)	TV00109	3	5462735K		Idle Gear (A) (DLV8221)	TV00007	3	5464002K
12	Nose Nut Assembly (DLV8150)	TD00571	1	5462478A	38	Spindle Gear (DLV8120/8130)	TV00051	1	5462118K
13	Plate for Spring	TD00606	1	5469517A		Spindle Gear (DLV8140)	TV00052	1	5462203K
14	Bit Holder Assembly (JJE type)	TV00130	1	5462137K		Spindle Gear (DLV8150)	TV00154	1	5464003K
15	Bit Holder Assembly (JKE type)	TD00620	1	5462484A	39	Gear Base (B) Assembly (DLV8120/8130/8140/8150)	TD00573	1	5469516A
16	Stop Ring	TD00621	1	5462328B	40	Gear Case Assembly (DLV8120/8130)	TD00547	1	5462474A
17	Shim	LP10494	1	5462712K		Gear Case Assembly (DLV8140)	TD00549	1	5462475A
18	Spring	TV00129	1	5462173K		Gear Case Assembly (DLV8150)	TD00548	1	5469518A
19	Shim	TV00151	1	5462213K		Gear Case Assembly (DLV8221)	TD00550	1	5469556A
20	Slide Ring	TV00122	1	5462130K	41	Pilot Rod (G)	TV00082	1	5462234K
21	Steel Ball $\phi 3.96$	TV00123	1	5462129K	42	Motor Gear (DLV8120/8130)	TV00095	1	5462113K
22	Bit Holder (JJE type)	CP01181	2	5462704K		Motor Gear (DLV8140)	TV00096	1	5462201K
23	Bit Holder (JKE type)	TD00570	1	5462303A		Motor Gear (DLV8150)	TV00047	1	5464001K
24	Pilot (A) Assembly	TD00605	1	5462328A		Motor Gear (DLV8221)	TV00097	1	5464504K
25	Retaining Ring	TD00572	1	5462487A	43	Fan (DLV8120/8130/8140/8150)	TD00567	1	5462112K
26	Pilot (A)	TV00001	1	5462706K		Fan (DLV8221)	TD00592	1	5462111K
27	Steel Ball $\phi 1.58$ (1/16")	TV00075	1	5462133K	44	Pilot Rod (F)	TV00081	1	5462175K
28	Clutch Spring (DLV8120)	TP17155	1	5462705K	45	Washer	TV00112	2	5462164K
29	Clutch Spring (DLV8130)	TV00039	1	5462210K	46	Motor Assembly (DLV8120/8130/8140/8150)	TD02996	1	5462465A
30	Clutch Spring (DLV8140)	TV00249	1	5462237K	47	Motor Assembly (DLV8221)	TD01819	1	5469611A
31	Clutch Spring (DLV8150)	TV00037	1	5462136K	48	End Cover (G)	TV00010	1	5462103K
32	Clutch Spring (DLV8221)	TV00038	1	5462205K	49	Ball Bearing (DLV8120/8130/8140/8150)	TV00067	1	5462102K
33	Taper-Ring Assembly (DLV8120/8130/8140/8221)	TV00143	1	5464008K	50	Ball Bearing (DLV8221)	TV00065	1	5462122K
34	Taper-Ring Assembly (DLV8150)	TD00569	1	5462480A	51	Yoke Assembly	TV00026	1	5462141K
35	Cam Guide (DLV8120/8130/8140)	TD00551	1	5462481A	52	Rotor Assembly (DLV8120/8130/8140/8150)	TD00577	1	5462002K
36	Cam Guide (DLV8150)	TV00124	1	5462125K		Rotor Assembly (DLV8221)	TD00554	1	5462005K
37	Cam Guide (DLV8221)	TV00021	1	5464006K	53	Ball Bearing	TD01786	1	5462019K
38	Steel Ball $\phi 3.96$ (DLV8120/8130/8140/8221)	TV00020	1	5462284K	54	Assembling Spring (Lower)	TV00069	1	5462101K
39	Steel Ball $\phi 3.96$ (DLV8150)	CP01181	2	5462704K	55	Assembling Spring (Upper)	TV00032	1	5462108K
40	Steel Ball $\phi 2$ (DLV8221)	CP01181	4	5462704K	56	End Cover (R)	TV00033	1	5462109K
41	Pilot Rod (H)	TV00121	23	5462703K	57	Brush Assembly	TD00593	1	5462275K
42	Cam (DLV8120/8130/8140)	TV00083	1	5462233K	58	Brush Cap	TD00594	2	5462276K
43	Cam (DLV8150)	TV00017	1	5462124K	59	Noise-Killer Assembly	TV00085	2	5462106K
44	Cam (DLV8221)	TV00092	1	5464005K	60	Capacitor	TD01799	1	5462470A
45	Cam (DLV8221)	TV00018	1	5464505K	61	Capacitor	TV00330	2	5462450K
46					62	Insulating Film (A)	TV00632	1	5462449K
47					63	Resistance	TV00113	1	5462187K
48					64	Switch Base Assembly	TV00094	1	5462451K
49					65	Pilot Rod (D) Assembly	TD00582	1	5462471A
50					66	Nut	TD00583	1	5462168K
51					67	Adjusting Screw	TV00101	1	5462709K
52					68	Spring for Pilot	TV00070	1	5462169K
53					69	Screw	TV00203	1	5462171K
54					70	Micro Switch	TV00205	2	5462708K
55					71	Plate	TV00199	1	5462172K
56					72	Screw	TV00198	1	5462167K
57					73	Micro Switch	TV00207	2	5462729K
58					74	Insulating Plate (B)	TV00200	1	5462170K
59					75	Switch Base	TV00117	1	5462427K
60					76	Screw	TV00197	1	5462166K
61					77	Insulating Plate (A)	TV00204	2	5462707K
62					78	Control Base Assembly	TV00115	1	5462179K
63					79	Insulating Film (B)	TD01794	1	5462461K
64					80	Insulating Plate	TV00114	1	5462189K
65					81	Change-Over Switch	TV00116	1	5462188K
66					82	Rocker (DLV8120)	TV00030	1	5462190K
67						Rocker (DLV8130)	TV00225	1	5462191K
68						Rocker (DLV8140)	TV00100	1	5462192K
69						Rocker (DLV8150)	TV00099	1	5462193K
70						Rocker (DLV8221)	TV00230	1	5462196K
71					83	Frame (A)	TV00252	1	5462194K
72					84	Frame (B)	TD00672	1	5462270K
73					85	Screw			
74					86	Cord Assembly	TV00209	3	5462710K
75					87	Name Label	TD01797	1	5462277K
76					88	Rating Plate			
77					89	Lifting Hook Assembly	TD00585	1	5462181K



THIRD ANGLE DRAWING		NITTO KOHKI CO., LTD.	
DIMENSION IN		PARTS LIST	
SCALE		DRAWING TITLE	
DATE FEB. 27. 1996		DLV8100/8200-JJE/JKE	
ORDER NO.		DRAWN	
APPROVED	CHECKED	DESIGNED	DRAWN
<i>H. Fujita</i>	<i>S. kato</i>	<i>T. Kameo</i>	<i>T. Kameo</i>
DRG. NO. OW20294g			