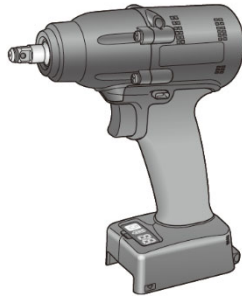


Service Manual



EYFLF1XC

Cordless Impact Wrench
Model No. EYFLF1XC
EYFLF2XC
EYFLF1XP
EYFLF2XP
EYFLF1RC
EYFLF2RC

Europe

Please file and use this manual together with the service manual for Model No. EYFLA9C, EYFMA2C, EYFLA9P, EYFMA2P, order No. PTD1902E58CE and EYFLA7A, EYFLA8A, EYFLA8P, order No. PTD1902E59AE.

⚠ WARNING

This service information is designed for experienced repair technicians only and is not designed for use by the general public. It does not contain warnings or cautions to advise non-technical individuals of potential dangers in attempting to service a product. Products powered by electricity should be serviced or repaired only by experienced professional technicians. Any attempt to service or repair the product or products dealt with in this service information by anyone else could result in serious injury or death.

IMPORTANT SAFETY NOTICE

There are special components used in this equipment which are important for safety. These parts are marked by ⚠ in the Schematic Diagrams, Circuit Board Diagrams, Exploded Views and Replacement Parts List. It is essential that these critical parts should be replaced with manufacturer's specified parts to prevent shock, fire or other hazards. Do not modify the original design without permission of manufacturer.

TABLE OF CONTENTS

- 1. Warning.....2
- 2. Specifications.....2
- 3. Troubleshooting Guide..... 3
- 4. Disassembly and Assembly Instructions..... 6
- 5. Exploded View and Replacement Parts List..... 8

1 Warning

Caution:

- Pb free solder has a higher melting point than standard solder; Typically the melting point is 50 - 70°F (30 - 40°C) higher. Please use a soldering iron with temperature control and adjust it to 750 ± 20°F (400 ± 10°C). In case of using high temperature soldering iron, please be careful not to heat too long.
- Pb free solder will tend to splash when heated too high (about 1100°F / 600°C).

2 Specifications

Model		EYFLF1			EYFLF2		
		XA	XC	RC	XA	XC	RC
Motor		DC 10.8 V					
Chuck size	Single-ended	9 - 9.5 mm	□ 9.5 mm		9 - 9.5 mm	□ 9.5 mm	
	Double-ended	12 mm			12 mm		
No load speed (rpm)	Stage	1-4	0 – 650		1-3	0-1450	
		5-14	0 – 950		4-40·F	0-1800	
		15-19	0 – 1200				
		20-40·F	0 – 1800				
Impact per minute (ipm)	Stage	1-4	0-1300		0-2250		
		5-40·F	0-1800				
Maximum torque		40 N·m			100 N·m		
Torque control function operating range		Approx. 3-20 N·m			Approx. 6-35 N·m		
Overall length		167 mm					
Weight (with battery pack: EYFB30)		1.45 kg					
Weight (with battery pack: EYFB32)		1.3 kg					

Reference Information.

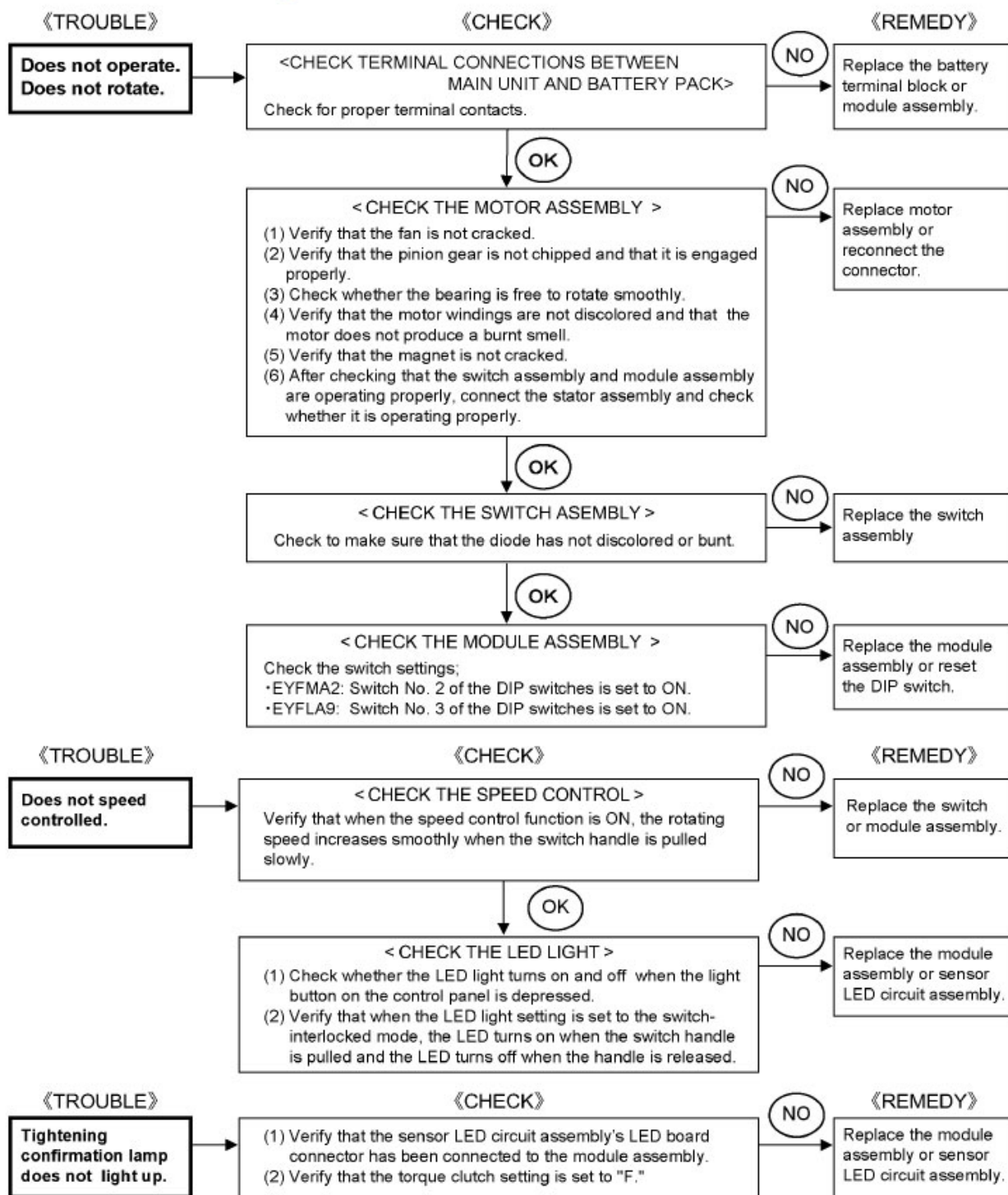
This product is similar to EYFLA8A/8P with differences in some parts.

The main differences are as follows:

- (1) Shaft cover block (with two bearings)
- (2) Anvil assembly (of a split structure)
- (3) Driving shaft assembly (with hammer, hammer spring, and shock-absorbing rubber)
- (4) Motor block (with winding change)
- (5) Module assembly (with EYFLF1-dedicated software)

3 Troubleshooting Guide

3.1. Troubleshooting Guide



《TROUBLE》

The tool is not producing adequate impact force.

《CHECK》

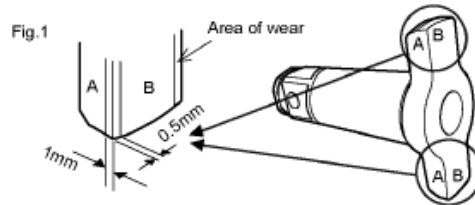
< CHECK THE ANVIL >

Check the amount of wear on the anvil. Wear is within acceptable bounds if wear in the area of contact with the output shaft and hammer is limited to an area 1mm or less from the corner on surface A and an area 0.5mm or less from the corner on surface B. (See Fig. 1)

NO

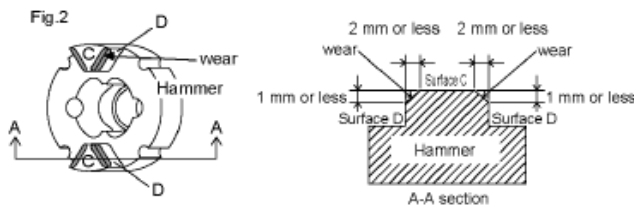
《REMEDY》

Replace the anvil.



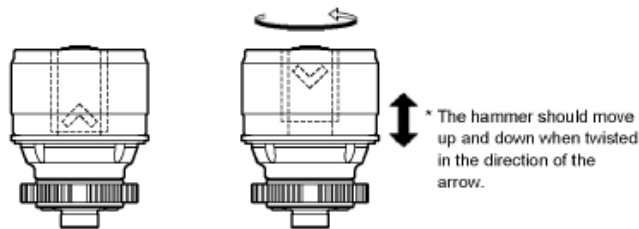
< CHECK THE DRIVING SHAFT ASSEMBLY >

• Check the amount of wear on the main hammer. Wear is within acceptable bounds if wear in the area of contact with the output shaft and hammer is limited to an area 2mm or less from the corner on surface C and an area 1mm or less from the corner on surface D. (See Fig. 2)



• Check whether the hammer twists and rotates smoothly, as shown in the following figure. (See Fig. 3)

Fig.3



Driving shaft assembly

NO

Replace the driving shaft assembly.

3.2. Trial Operation (after checking Troubleshooting Guide).

Note:

- If you have any questions regarding the operation, please refer to the Instruction Manual for clarification.
- If the unit does not operate as described in the Instruction Manual, reassemble the unit and check for any faulty assembly or missing parts.

Access the download version of the operating instructions as below.



3.2.1. Assembly

- Confirm if there is no gap between housing A and B by pinching lead wires.
- There is no dust or deformation on battery terminals.

3.2.2. Operation

- Check whether the tool speed increases continuously as the trigger is gradually engaged.
- Check whether the tool operates properly in both the forward and reverse directions.
- Set the LED light to switch-linked mode (L2) and check whether the LED light turns on when the trigger is engaged and that it turns off when the trigger is released.
- Set the buzzer to each of its three modes and verify that there is no buzzer in b0 mode, that the buzzer sounds when the green lamp is on in b1 mode, and that the buzzer sounds when the Red lamp is on b2 mode.

【 Method of confirmation 】

1. Press the D button on the wireless remote control once.
2. Confirm that the identification of the main unit is displayed on the operation panel display.

Display	Tool circuit
H7	EYFLF1
H8	EYFLF2

【 Initializing all settings (revert settings to factory defaults) 】

Refer to the instruction manual of Initializing all settings section.

3.2.4 Integrity

- With the switch activated, shake the tool back and forth and up and down and verify that its sound does not change excessively.
- Verify that there is no dirt, scratching, or other damage on the tool's exterior from the repair process.

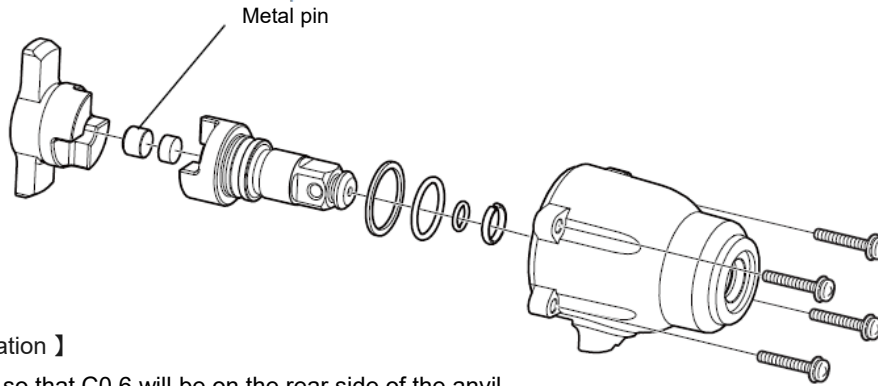
4 Disassembly/Assembly Instructions

*Refer to the EYFLA9C, EYFLA8A, and EYFLA8P Service Guide.

*Take note of the disassembly and reassembly procedures due to differences, which are detailed from this page onwards.

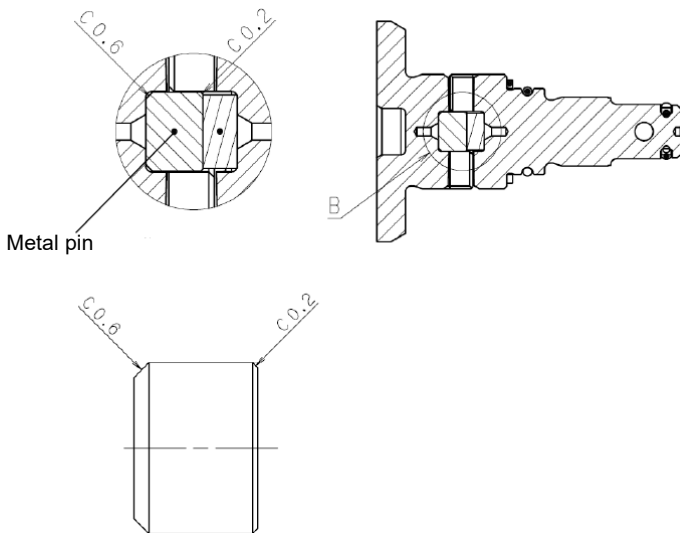
*Refer to the exploded view diagram for the configuration of parts.

4.1 The metal pin of the anvil has a mounting direction.



【 Metal pin orientation 】

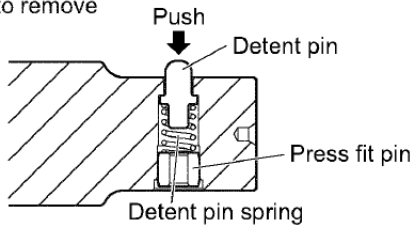
Set the metal pin so that C0.6 will be on the rear side of the anvil.



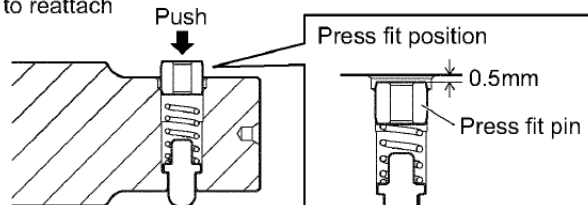
4.2 How to replace detent pin, detent pin spring and press fit pin (for EYFLF1XP EYFLF2XP)

Replacing detent pin, detent pin spring and press fit pin.

How to remove



How to reattach

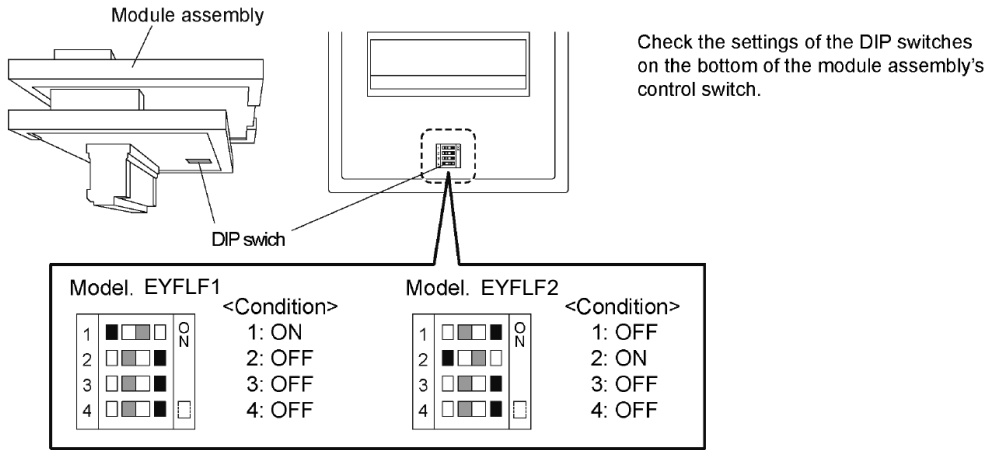


* When replacing the detent pin, replace the entire set (detent pin, press-fit pin and detent spring).

Note that Panasonic cannot guarantee that the replacement will fully recover the product performance.

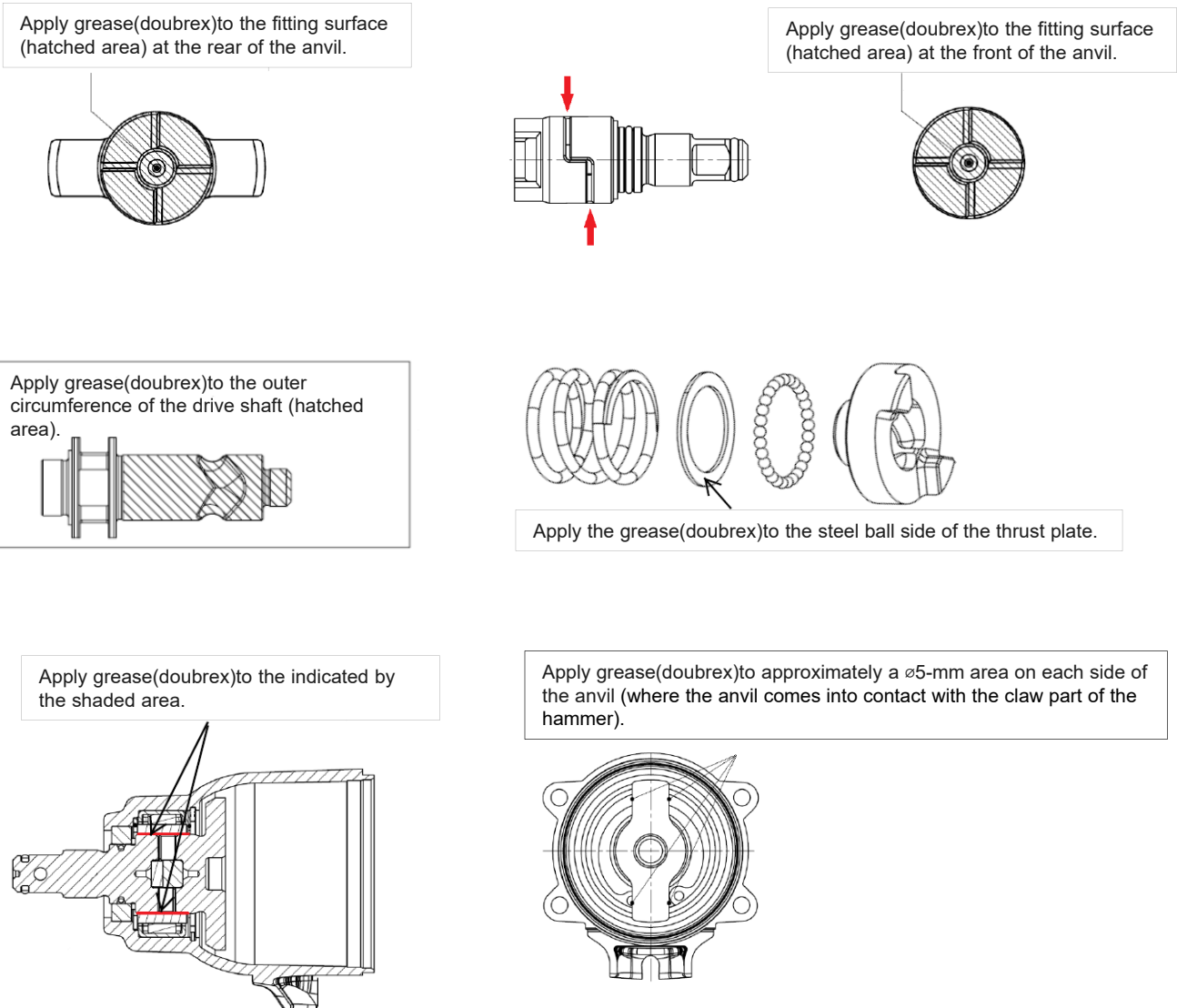
We recommend the replacement of the anvil block.

4.3 Checking and setting the Module assembly's DIP switches.



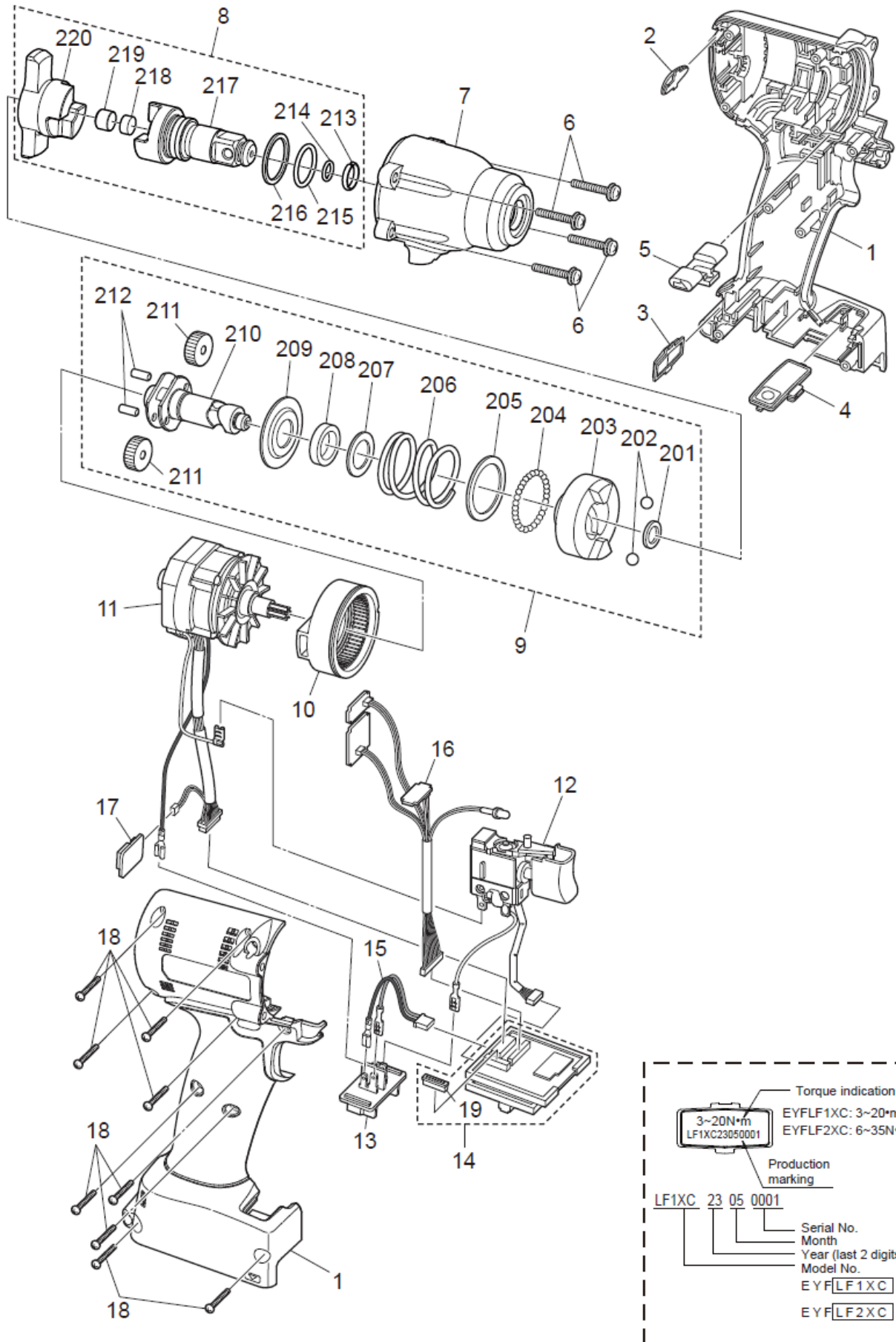
4.4 Precautions when applying the grease.

Refer to EYFLA9C/EYFMA2C Service Guide 4.6 and 4.8 except for the figures below.



5. Exploded View and Replacement Parts List

5.1 Exploded View for EYFLF1XC EYFLF2XC



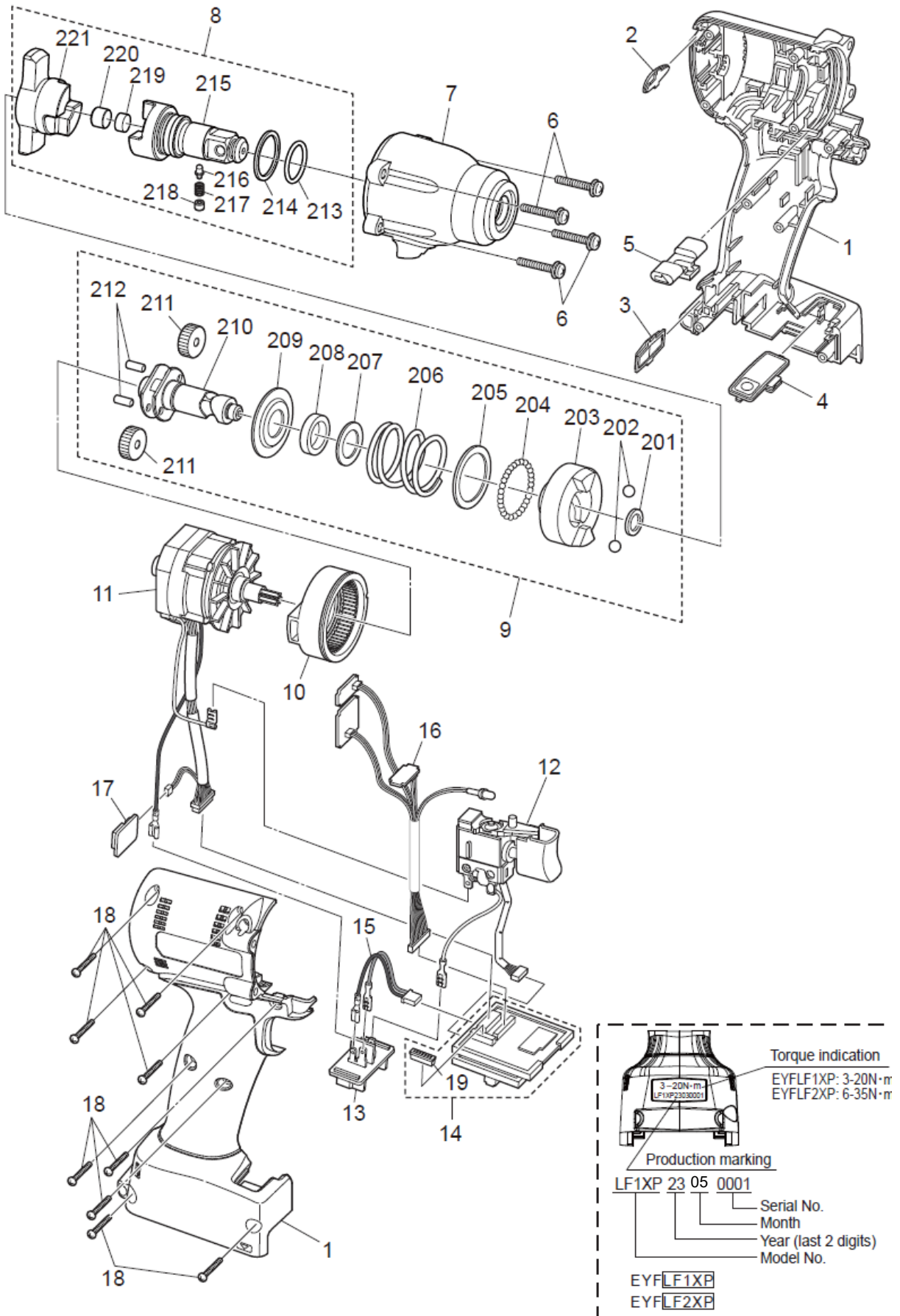
5.2. Replacement Parts List

Model No. : EYFLF1XC EYFLF2XC Parts List

Safety	Ref. No.	Part No.	Part Name & Description	Q'ty	Remarks
	1	WEYFLF1XK303	HOUSING AB SET	1	(for EYFLF1XC)
	1	WEYFLF2XK303	HOUSING AB SET	1	(for EYFLF2XC)
	2	WEYFPA1JL377	TIGHTENING CONFIRMATION LAMP COVER	1	
	3	WEYFLA1AL337	DISCERNMENT PLATE	1	(for EYFLF1XC)
	3	WEYFLA2AL337	DISCERNMENT PLATE	1	(for EYFLF2XC)
	4	WEYFGA1NK337	OPERATION PLATE ASSEMBLY	1	
	5	WEYFLA1AK327	F/R SELECTOR HANDLE	1	
	6	WEYFMA2CK607	DPT SEMS TAPPING SCREW	4	
	7	WEYFLF1XK311	SHAFT COVER ASSEMBLY	1	
	8	WEYFLF1XM101	ANVIL BLOCK	1	
	9	WEYFLF1XM111	DRIVING SHAFT ASSMBLY	1	(for EYFLF1XC)
	9	WEYFLF2XM111	DRIVING SHAFT ASSMBLY	1	(for EYFLF2XC)
	10	WEYFLA1AL007	MOTOR MOUNTING PLATE ASSEMBLY	1	
	11	WEYFLF1XL201	MOTOR BLOCK	1	
	12	WEYFMH1L2701	SWITCH ASSEMBLY	1	
	13	WEY7540L2157	BATTERY TERMINAL BLOCK	1	
	14	WEYFLF1XL211	MODULE ASSEMBLY	1	
	15	WEYFLA1AL297	HARNES	1	
	16	WEYFMA2CL287	SENSOR LED CIRCUIT ASSEMBLY	1	
	17	WEYFME1CL267	BUZZER BOARD	1	
	18	WEYFME1CK967	TAPPING SCREW K3*16	9	
	19	WEYFGA1NW287	CONNECTOR	1	
	201	WEYFMA1JL087	THRUST PLATE	1	
	202	WEY7201L6966	STEEL BALL	2	(2PCS/PK)
	203	WEYFLF1XL101	HAMMER	1	
	204	WEY7205L6957	STEEL BALL	29	(29PCS/PK)
	205	WEYFLA1AL087	THRUST PLATE	1	
	206	WEYFLF1XL111	HAMMER SPRING	1	(for EYFLF1XC)
	206	WEYFLF2XL111	HAMMER SPRING	1	(for EYFLF2XC)
	207	WEYFLA1AL097	THRUST PLATE	1	
	208	WEYFLF1XL001	CUSHION RUBBER	1	
	209	WEYFLA1AL137	SPRING FIXING PLATE	1	
	210	WEYFLA3JL137	DRIVING SHAFT	1	
	211	WEY6504L1357	PLANET GEAR	2	(2PCS/PK)
	212	WEY6506L1346	PIN	2	(2PCS/PK)
	213	WEYFME1CK077	RETAINER RING	1	
	214	WEYFME1CK087	O-RING	1	(fai5.0)
	215	WEYFLF1XL011	O-RING	1	
	216	WEYFLF1XL021	THRUST PLATE 185	1	
	217	WEYFLF1XL121	POWER SAHFT FRONT	1	
	218	WEYFLF1XL131	VIBRATION ABSORBER FOR ANVIL	1	
	219	WEYFLF1XL141	METAL PIN	1	
	220	WEYFLF1XL151	POWER SAHFT BACK	1	
	-	WEY001T8957	FLOIL GREASE	1	
	-	WEY002X8977	GREASE (DOUBREX)	1	

5. Exploded View and Replacement Parts List

5.3 Exploded View for EYFLF1XP EYFLF2XP



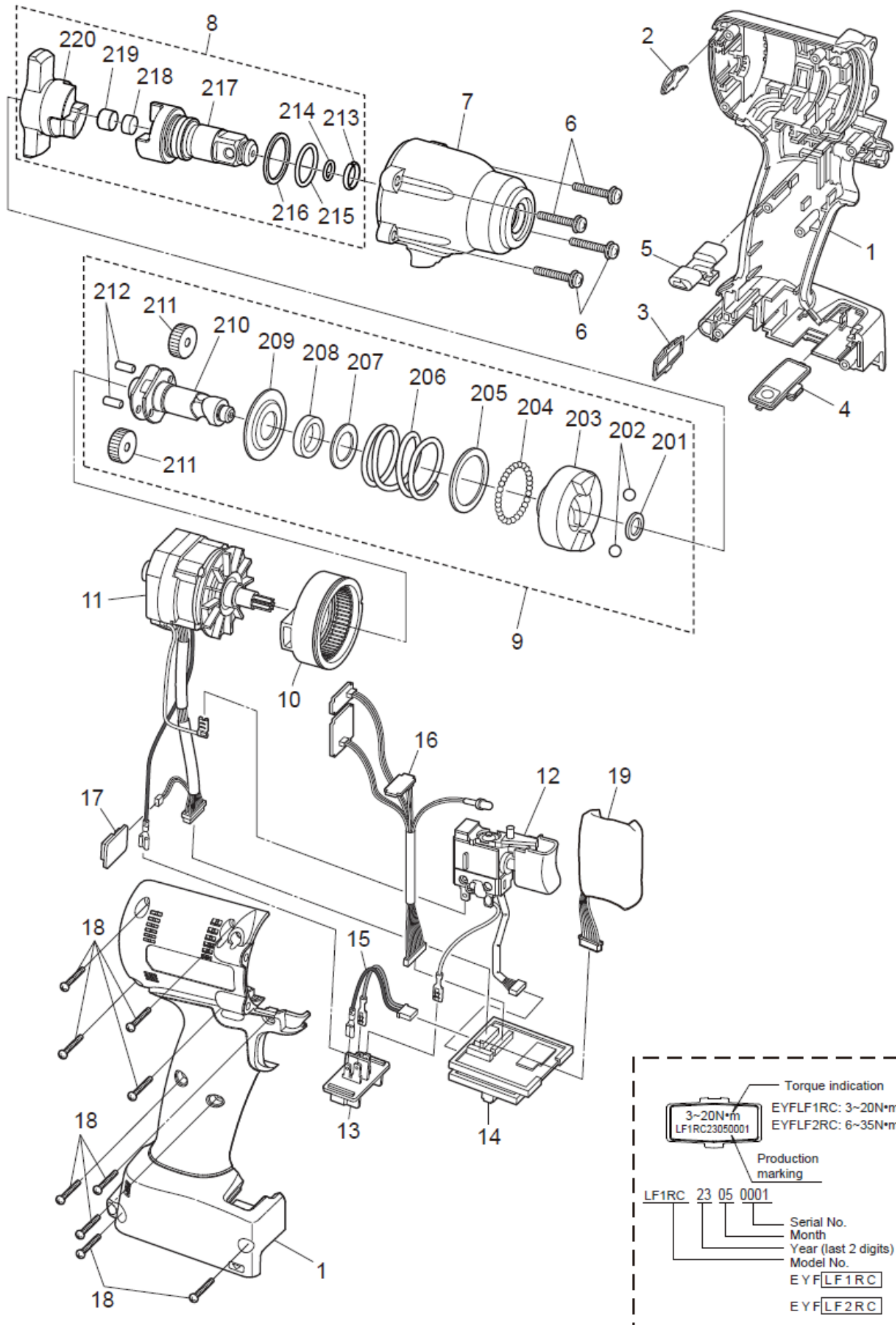
5.4. Replacement Parts List

Model No. : EYFLF1XP EYFLF2XP Parts List

Safety	Ref. No.	Part No.	Part Name & Description	Q'ty	Remarks
	1	WEYFLF1XP302	HOUSING AB SET	1	(for EYFLF1XP)
	1	WEYFLF2XP302	HOUSING AB SET	1	(for EYFLF2XP)
	2	WEYFPA1JL377	TIGHTENING CONFIRMATION LAMP COVER	1	
	3	WEYFLA1AL337	DISCERNMENT PLATE	1	(for EYFLF1XP)
	3	WEYFLA2AL337	DISCERNMENT PLATE	1	(for EYFLF2XP)
	4	WEYFGA1NK337	OPERATION PLATE ASSEMBLY	1	
	5	WEYFLA1AK327	F/R SELECTOR HANDLE	1	
	6	WEYFMA2CK607	DPT SEMS TAPPING SCREW	4	
	7	WEYFLF1XK311	SHAFT COVER ASSEMBLY	1	
	8	WEYFLF1XP101	ANVIL BLOCK	1	
	9	WEYFLF1XM111	DRIVING SHAFT ASSMBLY	1	(for EYFLF1XP)
	9	WEYFLF2XM111	DRIVING SHAFT ASSMBLY	1	(for EYFLF2XP)
	10	WEYFLA1AL007	MOTOR MOUNTING PLATE ASSEMBLY	1	
	11	WEYFLF1XL201	MOTOR BLOCK	1	
	12	WEYFMH1L2701	SWITCH ASSEMBLY	1	
	13	WEY7540L2157	BATTERY TERMINAL BLOCK	1	
	14	WEYFLF1XL211	MODULE ASSEMBLY	1	
	15	WEYFLA1AL297	HARNESS	1	
	16	WEYFMA2CL287	SENSOR LED CIRCUIT ASSEMBLY	1	
	17	WEYFME1CL267	BUZZER BOARD	1	
	18	WEYFME1CK967	TAPPING SCREW K3*16	9	
	19	WEYFGA1NW287	CONNECTOR	1	
	201	WEYFMA1JL087	THRUST PLATE	1	
	202	WEY7201L6966	STEEL BALL	2	(2PCS/PK)
	203	WEYFLF1XL101	HAMMER	1	
	204	WEY7205L6957	STEEL BALL	29	(29PCS/PK)
	205	WEYFLA1AL087	THRUST PLATE	1	
	206	WEYFLF1XL111	HAMMER SPRING	1	(for EYFLF1XP)
	206	WEYFLF2XL111	HAMMER SPRING	1	(for EYFLF2XP)
	207	WEYFLA1AL097	THRUST PLATE	1	
	208	WEYFLF1XL001	CUSHION RUBBER	1	
	209	WEYFLA1AL137	SPRING FIXING PLATE	1	
	210	WEYFLA3JL137	DRIVING SHAFT	1	
	211	WEY6504L1357	PLANET GEAR	2	(2PCS/PK)
	212	WEY6506L1346	PIN	2	(2PCS/PK)
	213	WEYFLF1XL011	O-RING	1	
	214	WEYFLF1XL021	THRUST PLATE 185	1	
	215	WEYFLF1XP121	POWER SAHFT FRONT	1	
	216	WEYFLA8PL050	DETENT PIN	1	
	217	WEYFNA1PL097	DETENT SPRING	1	
	218	WEYFLA8PL035	PRESS FIT PIN	1	
	219	WEYFLF1XL131	VIBRATION ABSORBER FOR ANVIL	1	
	220	WEYFLF1XL141	METAL PIN	1	
	221	WEYFLF1XL151	POWER SAHFT BACK	1	
	-	WEY001T8957	FLOIL GREASE	1	
	-	WEY002X8977	GREASE (DOUBREX)	1	

5. Exploded View and Replacement Parts List

5.5 Exploded View for EYFLF1RC EYFLF2RC



5.6. Replacement Parts List

Model No. : EYFLF1RC EYFLF2RC Parts List

Safety	Ref. No.	Part No.	Part Name & Description	Q'ty	Remarks
	1	WEYFLF1RK303	HOUSING AB SET	1	(for EYFLF1RC)
	1	WEYFLF2RK303	HOUSING AB SET	1	(for EYFLF2RC)
	2	WEYFPA1JL377	TIGHTENING CONFIRMATION LAMP COVER	1	
	3	WEYFLA1AL337	DISCERNMENT PLATE	1	(for EYFLF1RC)
	3	WEYFLA2AL337	DISCERNMENT PLATE	1	(for EYFLF2RC)
	4	WEYFGA1NK337	OPERATION PLATE ASSEMBLY	1	
	5	WEYFLA1AK327	F/R SELECTOR HANDLE	1	
	6	WEYFMA2CK607	DPT SEMS TAPPING SCREW	4	
	7	WEYFLF1XK311	SHAFT COVER ASSEMBLY	1	
	8	WEYFLF1XM101	ANVIL BLOCK	1	
	9	WEYFLF1XM111	DRIVING SHAFT ASSMBLY	1	(for EYFLF1RC)
	9	WEYFLF2XM111	DRIVING SHAFT ASSMBLY	1	(for EYFLF2RC)
	10	WEYFLA1AL007	MOTOR MOUNTING PLATE ASSEMBLY	1	
	11	WEYFLF1XL201	MOTOR BLOCK	1	
	12	WEYFMH1L2701	SWITCH ASSEMBLY	1	
	13	WEY7540L2157	BATTERY TERMINAL BLOCK	1	
	14	WEYFLF1RL211	MODULE ASSEMBLY	1	
	15	WEYFLA1AL297	HARNES	1	
	16	WEYFMA2CL287	SENSOR LED CIRCUIT ASSEMBLY	1	
	17	WEYFME1CL267	BUZZER BOARD	1	
	18	WEYFME1CK967	TAPPING SCREW K3*16	9	
	19	WEYFMA2CR278	TRANSMITTER	1	
	201	WEYFMA1JL087	THRUST PLATE	1	
	202	WEY7201L6966	STEEL BALL	2	(2PCS/PK)
	203	WEYFLF1XL101	HAMMER	1	
	204	WEY7205L6957	STEEL BALL	29	(29PCS/PK)
	205	WEYFLA1AL087	THRUST PLATE	1	
	206	WEYFLF1XL111	HAMMER SPRING	1	(for EYFLF1RC)
	206	WEYFLF2XL111	HAMMER SPRING	1	(for EYFLF2RC)
	207	WEYFLA1AL097	THRUST PLATE	1	
	208	WEYFLF1XL001	CUSHION RUBBER	1	
	209	WEYFLA1AL137	SPRING FIXING PLATE	1	
	210	WEYFLA3JL137	DRIVING SHAFT	1	
	211	WEY6504L1357	PLANET GEAR	2	(2PCS/PK)
	212	WEY6506L1346	PIN	2	(2PCS/PK)
	213	WEYFME1CK077	RETAINER RING	1	
	214	WEYFME1CK087	O-RING	1	(fai5.0)
	215	WEYFLF1XL011	O-RING	1	
	216	WEYFLF1XL021	THRUST PLATE 185	1	
	217	WEYFLF1XL121	POWER SAHFT FRONT	1	
	218	WEYFLF1XL131	VIBRATION ABSORBER FOR ANVIL	1	
	219	WEYFLF1XL141	METAL PIN	1	
	220	WEYFLF1XL151	POWER SAHFT BACK	1	
	-	WEY001T8957	FLOIL GREASE	1	
	-	WEY002X8977	GREASE (DOUBREX)	1	