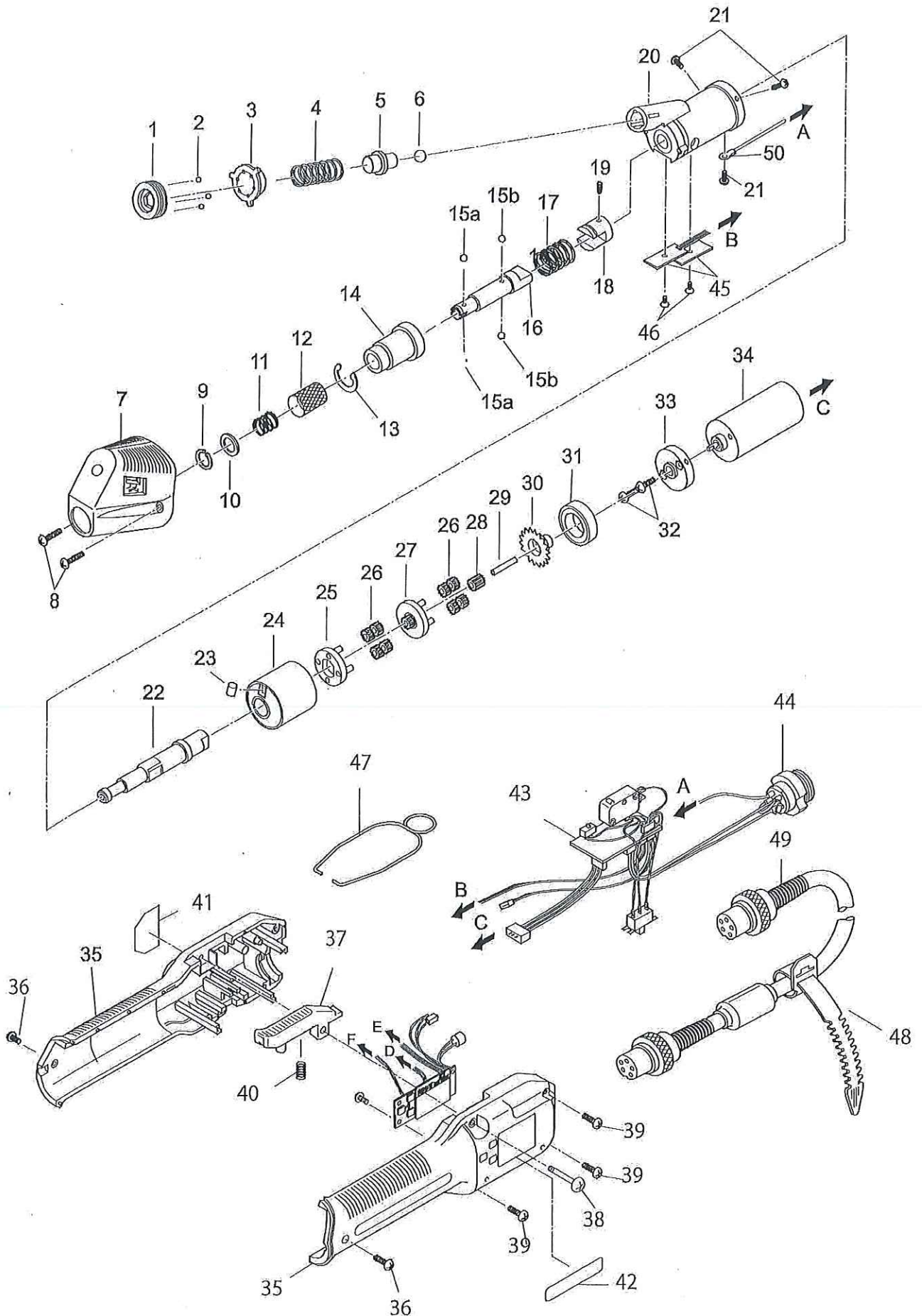


EXPLODED VIEW DRAWING

Issued : Nov. 10th, 2016

BLG - 5000BC1/BC2
H4, H5/5HEX, 6.35HEX



(Ver No. BLG-50BC12-02)

HIOS®

PARTS LIST OF BLG-5000BC1/BC2
(H4 HIOS / H5 HIOS / 5.0 HEX / 6.35 HEX SHANK)

ISSUED : October 24, 2013
REVISED : November-23

PARTS NAME	PARTS NO.	PARTS NAME	PARTS NO.	
1 Torque Adjusting nut	BLG5-0010	29 Center Pin 2x13.8	F9-0260	
2 Steel Ball 1.5φ, using 3pcs	BALL-015	30 Cup Ring	BL4-0220	
3 Torque Adjusting spring holder	BL4-0021	31 Bearing	BL4-0311	
4 Torque Adjusting spring	BL4-0051-1.6	MOTOR ASSY #32-35	BLG5-MT	
5 Clutch Panel	BL4-0060		32 Set Screw 2.6x6, using 4pcs	MYPF260603CTMG
6 Steel Ball 5.0φ	BALL-05	33 Motor Front Panel	BLG5-0331JP	
7 Clutch Cover	BL4-0172ESD	34 Motor	BLG5-Y0341	
8 Screw 2.6x8, using 2pcs	MYPF260803CTMG	35 BODY CASE A&B (Display PCB Assy included)		
9 Collar Stopper for H4 HIOS	CL4-0090		for BC1	BLG5-CASEASSY-BC1
Collar Stopper for H5/5HEX/6.35HEX	CL65-0110		for BC2 (NEW)	BLG5-CASEASSY-BC2-W
10 Washer 7.6x9.6x0.5 for H4 HIOS	CL3-0620	for BC2 (OLD)	BLG5-CASEASSY-BC2	
Washer for H5 HIOS/5HEX	BL65-0130	36 Screw 2.6x6, using 2pcs	MYPF260603CTMG	
Washer for 6.35 HEX	BL4X-0630		37 Switch Lever	CL4-2500ESD
11 Collar Spring for H4 HIOS	BL4-0120	38 S/W Lever Shaft Knob 3x18	BLG4-0391	
Collar Spring for H5 HIOS/5HEX	BL65-0120	39 Screw, Tapping 2.5x12, using 3pcs	DPTPF25120NITM	
Collar Spring for 6.35 HEX	BL4X-0120	40 Switch Lever Spring	CL4-0511	
12 Joint Shaft Collar for H4 HIOS	BL4-0071	41 Name Plate HIOS	BLG4-0410	
Joint Shaft Collar for H5 HIOS/5HEX	BL5-0072-H5	42 Name Plate BLG-5000		
Joint Shaft Collar for 6.35 HEX	BL4X-0070	for BC1	BLG5BC1-0020	
		for BC2	BLG5BC2-0020	
13 E-Ring	BL4-0080	43 Circuit Assy including #44, 45 for BLG-5000BC1 for BLG-5000BC2 (NEW) for BLG-5000BC2 (OLD)		
14 Joint Shaft Cover (W/Magnet) H4/6.35X	BL4X-3141			BLG5-CC-BC1
Joint Shaft Cover (W/Magnet) H5/5HEX	BL5-3140-H5			BLG5-CC-BC2-W
15a Steel Ball 2.0φ for H4 HIOS x2pcs	BALL-02		BLG5-CC-BC2	
Steel Ball 2.5φ for H5 HIOS/5HEX x3pcs	BALL-025	44 6-Pin Connector	RD4-0580	
Steel Ball 1.5φ for 6.35 HEX x3pcs	BALL-015	45 T-UP Sensor Assy	---	
15b Steel Ball 2.5φ for H4,6.35HEX, x2pcs	BALL-025			
Steel Ball 2.777φ for H5/5HEX, x2pcs	BALL-0277	46 Screw 2X4, using 2pcs	SPC20X040	
16 Joint Shaft for H4 HIOS	BL4-0102	47 Hanger	BLG4-0420	
Joint Shaft for H5 HIOS/5HEX	BL5-0011	48 Free-Up Belt	CL4-0600	
Joint Shaft for 6.35 HEX	BL4X-0101			
17 Push Spring	BL4-0130	49 6-Core Cord W/Connectors 2m for OPC	RP50-CL	
Gear Assembly #18 to #31	BLG5-GR			
18 Joint	BL4-0180			
19 Hexagon Socket Set Screw 2.6x3	SH26X030			
20 Gear Case	BL4-0191-FE			
21 Set Screw 2.6x 6, using 3pcs	MYPF260603CTMG			
22 Lower Planet Shaft	BL4-0201			
23 Cam Roller φ4x5.5	CL4-0250			
24 Internal Gear (W/Single Magnet)	BL4-3211			
25 Lower Floor	BL4-0240			
26 Planet Gear, using 8 pcs	VZ10-0302			
27 Upper Planet Cage	VZ10-0331			
28 Pinion Gear	BL4-0294			