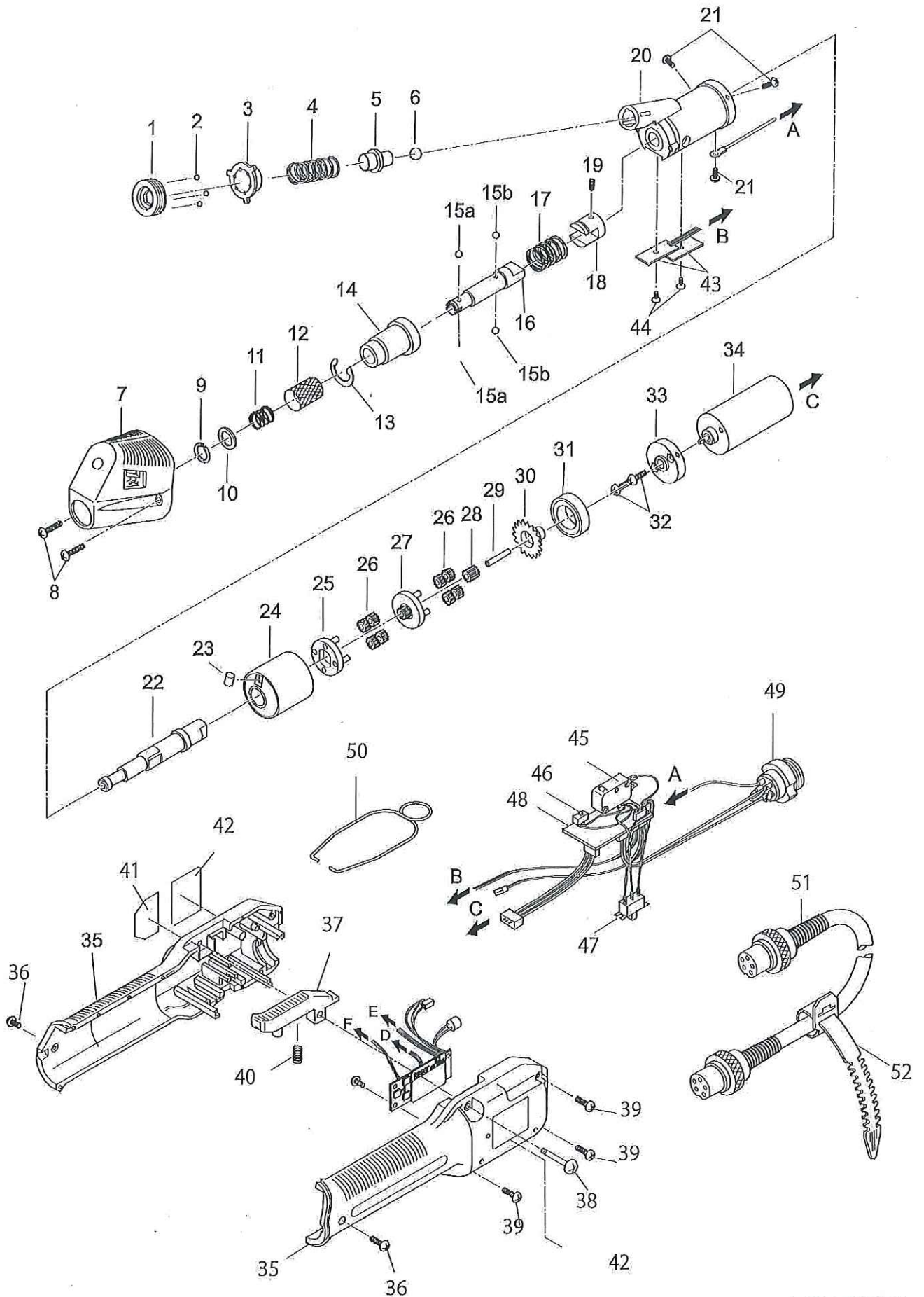


EXPLODED VIEW DRAWING

Issued : Mar. 21st, 2017

BLG-5000ZERO1  
H4, H5/5HEX, 6.35HEX



( Ver No. BLG-50ZERO1-01 )

**HIOS®**

PARTS LIST OF BLG-5000ZER01  
(HIOS, HEX SHANK)

ISSUED : March 21st, 2017

PARTS NAME	PARTS NO.	PARTS NAME	PARTS NO.
1 Torque Adjusting nut	BLG5-0010	29 Center Pin 2x13.8	F9-0260
2 Steel Ball 1.5φ, using 3pcs	BALL-015	30 Cup Ring	BL4-0220
3 Torque Adjusting spring holder	BL4-0021	31 Bearing	BL4-0311
4 Torque Adjusting spring	BL4-0051-1.6		
5 Clutch Panel	BL4-0060	<b>MOTOR ASSY #32-34</b>	<b>BLG5-MT</b>
6 Steel Ball 5.0φ	BALL-05	32 Set Screw 2.6x6, using 4pcs	MYPF260603CTMG
		33 Motor Front Panel	BLG5-0330
7 Clutch Cover	BL4-0172ESD	34 Motor	BLG5-Y0340
8 Set Screw 2.6x8, using 2pcs	MYPF260803CTMG		
		35 BODY CASE A&B	BLG5-BC-ZERO1
9 Collar Stopper for H4 HIOS	CL4-0090		
Collar Stopper for H5/5HEX/6.35HEX	CL65-0110	36 Set Screw 2.6x6, using 2pcs	MYPF260603CTMG
		37 Switch Lever	BLG4-0370
10 Washer 7.6x9.6x0.5 for H4 HIOS	CL3-0620	38 S/W Lever Shaft Knob 3x18	BLG4-0391
Washer for H5 HIOS/5HEX	BL65-0130	39 Set Screw, Tapping 2.5x12, using 3pcs	BLG4-0500
Washer for 6.35 HEX	BL4X-0630	40 Switch Lever Spring	CL4-0511
11 Collar Spring for H4 HIOS	BL4-0120	41 Name Plate HIOS	BLG4-0410
Collar Spring for H5 HIOS/5HEX	BL65-0120	42 Name Plate BLG-5000	BLG5BC2-ZERO1A
Collar Spring for 6.35 HEX	BL4X-0120		
12 Joint Shaft Collar for H4 HIOS	BL4-0071	<b>Circuit Assy #43 - 49</b>	<b>BLG5-CC-ZERO1</b>
Joint Shaft Collar for H5 HIOS/5HEX	BL5-0071-H5	43 Sensor PCB (Cannot be supplied alone)	N/A
Joint Shaft Collar for 6.35 HEX	BL4X-0070	44 Set Screw 2x4, using 2pcs	SPC20X040
		45 Start Switch	CL4-0570
13 E-Ring	BL4-0080	46 Push/Lever Change-Over SW	BL4-0370
14 Joint Shaft Cover (W/Magnet) H4/6.35X	BL4X-3141	47 For-Rev Switch	BLG4-0430
Joint Shaft Cover (W/Magnet) H5/5HEX	BL5-3140-H5	48 PCB Assy (Cannot be supplied alone)	N/A
		49 6-Pin Metal Connector	RD4-0580
15a Steel Ball 2.0φ for H4 HIOS x2pcs	BALL-02		
Steel Ball 2.5φ for H5 HIOS/5HEX x3pcs	BALL-025	50 Hanger	BLG4-0420
Steel Ball 1.5φ for 6.35 HEX x3pcs	BALL-015		
15b Steel Ball 2.5φ for H4,6.35HEX, x2pcs	BALL-025	51 Free-Up Belt	CL4-0600
Steel Ball 2.777φ for H5/5HEX, x2pcs	BALL-0277	52 6-Core Cord W/Connectors 2m for OPC	RP50-CL
16 Joint Shaft for H4 HIOS	BL4-0102		
Joint Shaft for H5 HIOS/5HEX	BL5-0011		
Joint Shaft for 6.35 HEX	BL4X-0101		
17 Push Spring	BL4-0130		
<b>Gear Assembly #18 to #31</b>	<b>BLG5-GR</b>		
18 Joint	BL4-0180		
19 Hexagon Socket Set Screw 2.6x3	SH26X030		
20 Gear Case	BL4-0191-FE		
21 Set Screw 2.6x 6, using 3pcs	MYPF260603CTMG		
22 Lower Planet Shaft	BL4-0201		
23 Cam Roller φ4x5.5	CL4-0250		
24 Internal Gear (W/Single Magnet)	BL4-3211		
25 Lower Floor	BL4-0240		
26 Planet Gear, using 8 pcs	VZ10-0302		
27 Upper Planet Cage	VZ10-0331		
28 Pinion Gear	BL4-0293		