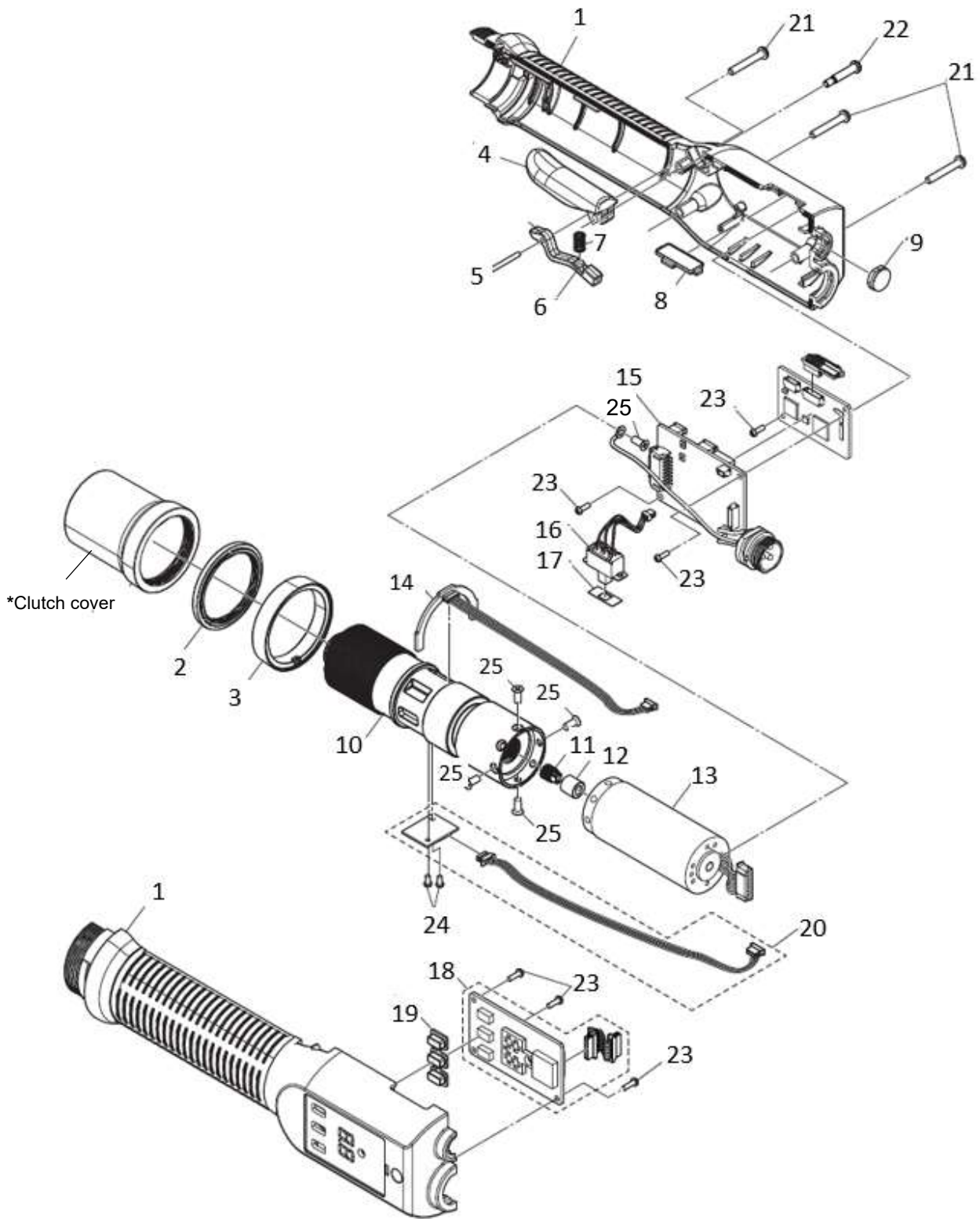


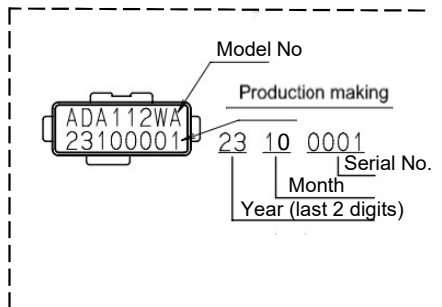
Model No.: EYADA Series WA WB Exploded View



*Clutch cover



*Clutch cover and hanging hook are available as an optional accessory.



Model No.: EYADA Series WA WB Parts List

Ref No	Part No.	Part Name & Description	Q'ty	Remarks
1	WEYAD11AK302	HOUSING AB SET	1	(For EYADA112WA)
1	WEYAD12AK302	HOUSING AB SET	1	(For EYADA212WA)
1	WEYAD18AK302	HOUSING AB SET	1	(For EYADA218WA)
1	WEYAD07AK302	HOUSING AB SET	1	(For EYADA407WA)
1	WEYAD11BK302	HOUSING AB SET	1	(For EYADA112WB)
1	WEYAD12BK302	HOUSING AB SET	1	(For EYADA212WB)
1	WEYAD18BK302	HOUSING AB SET	1	(For EYADA218WB)
1	WEYAD07BK302	HOUSING AB SET	1	(For EYADA407WB)
2	WEYAD12AK311	HOUSING FIXING RING	1	
3	WEYAD12AW301	LED COVER	1	
4	WEYAD12AL101	SWITCH HANDLE	1	
5	WEYAD12AS101	PIN	1	
6	WEYAD12AL111	SWITCH LEVER ASSEMBLY	1	
7	WEYAD12AS111	SWITCH SPRING	1	
8	WEYAD12AK321	SERIAL PLATE	1	
9	WEYAD12AK331	CAP	1	
10	WEYAD11AL121	DRIVE BLOCK ASSEMBLY	1	(For EYADA112)
10	WEYAD12AL121	DRIVE BLOCK ASSEMBLY	1	(For EYADA212)
10	WEYAD18AL121	DRIVE BLOCK ASSEMBLY	1	(For EYADA218)
10	WEYAD07CL121	DRIVE BLOCK ASSEMBLY	1	(For EYADA407)
11	WEYAD12AS131	PINION GEAR	1	
12	WEYAD12AS121	JOINT	1	
13	WEYAD12AL201	MOTOR	1	
14	WEYAD12AL221	3-COLOR LED CIRCUIT	1	
15	WEYAD12AL241	CONTROL CIRCUIT ASSEMBLY	1	
16	WEYAD12AL261	F/R SWITCH	1	
17	WEYAD12AL001	DUSTPROOF BOARD	1	
18	WEYAD12AL251	INDICATES CIRCUIT	1	
19	WEYAD12AH001	OPERATION BUTTON	1	
20	WEYAD12AL211	PUSH SENSOR CIRCUIT	1	
21	WEYAD12AL601	TIGHT SCREW	3	(K3×20)
22	WEYAD12AL611	FIXING SCREW FOR SWITCH H	1	
23	WEYAD12AL621	TAPPING SCREW	6	(2×6)
24	WEYAD12AL631	SCREW	2	(M2×4)
25	WEYAD12AL641	FLAT HEAD SCREW	5	(M3×7)