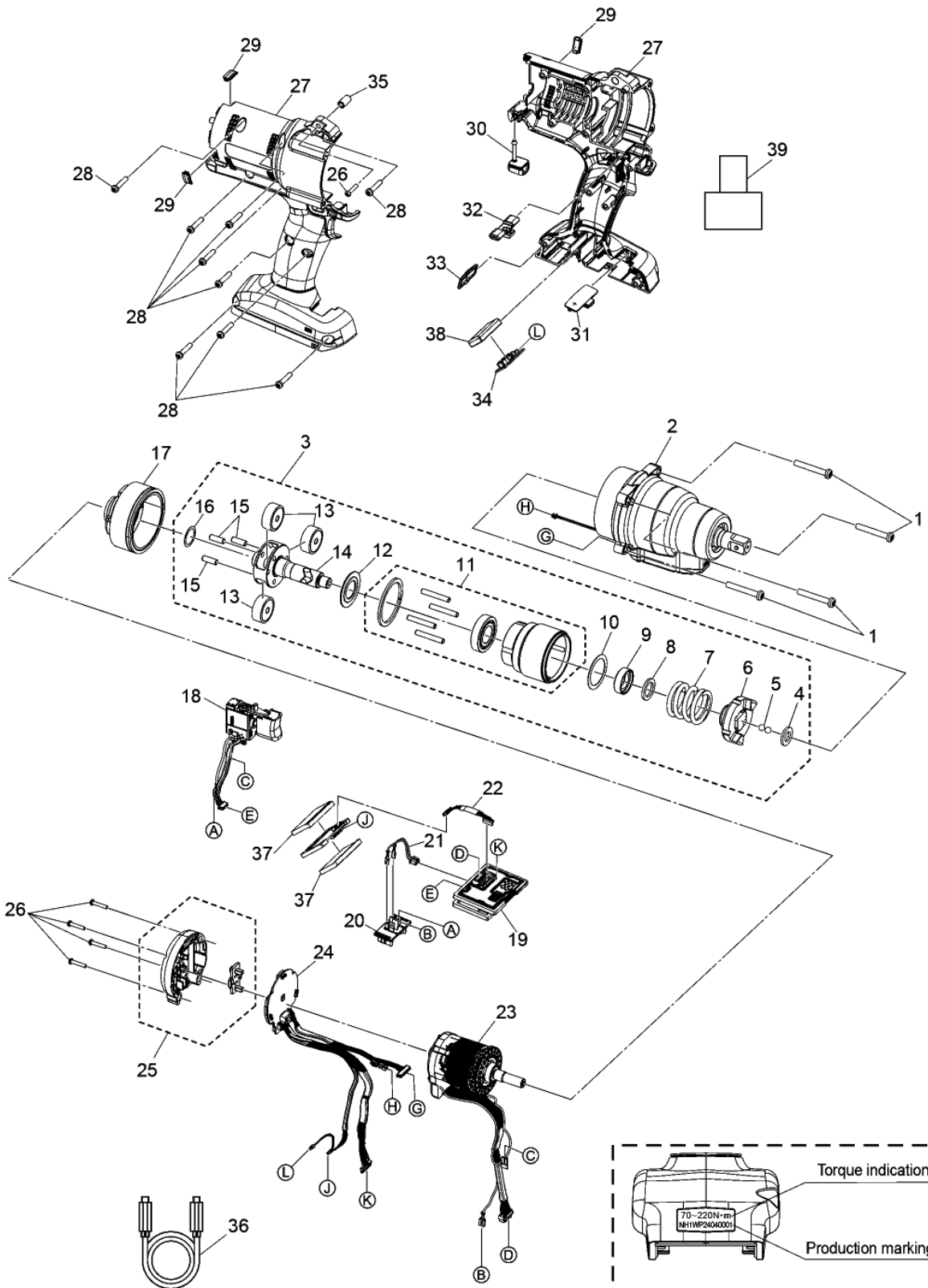


Model No. : EYFNH1WP Exploded View



Torque indication

Production marking

70-220N·m
NH1WP24040001

NH1WP 24 04 0001

- Serial No.
- Month
- Year (last 2 digits)
- Model No.

Model No. : EYFNH1WP Parts List

Change	Safe	Ref.No.	Part No.	Part Name & Description	Quantity	Remarks
EYFNH1WP						
		1	WEYFPA1CK987	TIGHT SCREW	4	(K5*35), (4PCS/PK)
		2	WEYFNH1L1501	SENSOR BLOCK	1	
		3	WEYFNH1L1001	DRIVING SHAFT ASSMBLY	1	
		4	WEYFNA1CS047	THRUST PLATE	1	
		5	WEYFMA2CS147	STEEL BALL	2	(2PCS/PK)
		6	WEYFNH1L1101	MAIN HAMMER	1	
		7	WEYFNH1L1020	HAMMER SPRING	1	
		8	WEYFNH1L0601	SHOCK ABSORBER B	1	
		9	WEYFNH1L0611	SHOCK ABSORBER A	1	
		10	WEYFNH1L0801	THRUST PLATE	1	
		11	WEYFNH1S1001	SUB HAMMER BLOCK	1	
		12	WEYFNH1L0811	THRUST PLATE	1	
		13	WEYFNH1L1201	PLANET GEAR	3	(3PCS/PK)
		14	WEYFNH1L1301	DRIVING SHAFT	1	
		15	WEYFNH1S0001	PIN	3	(3PCS/PK)
		16	WEYFMA2CK087	THRUST PLATE	1	
		17	WEYFPA1CL177	RING GEAR ASSEMBLY	1	
		18	WEYFMH1L2701	SWITCH ASSEMBLY	1	
		19	WEYFNH1L2901	UPPER AND LOWER CIRCUIT ASSEMBLY	1	
		20	WEY7540L2157	BATTERY TERMINAL BLOCK	1	
		21	WEYFMH1L2501	HARNESS	1	
		22	WEYFMH1L2201	HARNESS B	1	
		23	WEYFNH1L2601	MOTOR ASSEMBLY	1	
		24	WEYFNH1L2001	TORQUE CIRCUIT ASSEMBLY	1	
		25	WEYFNH1XC351	HOUSING C AND LAMP COVER	1	
		26	WEYFME1CK967	TAPPING SCREW	5	(K3*16), (5PCS/PK)
		27	WEYFNH1WP301	HOUSING AB SET	1	
		28	WEY7881K9567	DELTA PT SCREW	9	(4*20), (5PCS/PK)
		29	WEYFMH1W3001	TIGHTENING CONFIRMATION LAMP COVER A	3	
		30	WEYFNH1L3001	USB COVER	1	
		31	WEYFNH1NK337	OPERATION PLATE ASSEMBLY	1	
		32	WEYFLA1AK327	F/R SELECTOR HANDLE	1	
		33	WEYFLC1AD337	DISCERNMENT PLATE	1	
		34	WEYFMH1L2101	BUTTON MODULE	1	
		35	WEYFPA1CS067	METAL TUBE	1	
		36	WEYFMH1XL701	USB CABLE FOR PC SETTING	1	
		37	WEYFMH1L0701	DUSTPROOF CUSHION A	2	(2PCS/PK)
		38	WEYFMH1L0501	DUSTPROOF CUSHION B	1	
		39	WEYFLA4AR028	CUSHION	1	
		-	WEYFLA4AK777	HEAT-RESISTANT TAPE	1	
		-	WEY001T8957	FLOIL GREASE	1	
		-	WEY004X8967	GREASE (CALFOREX)	1	